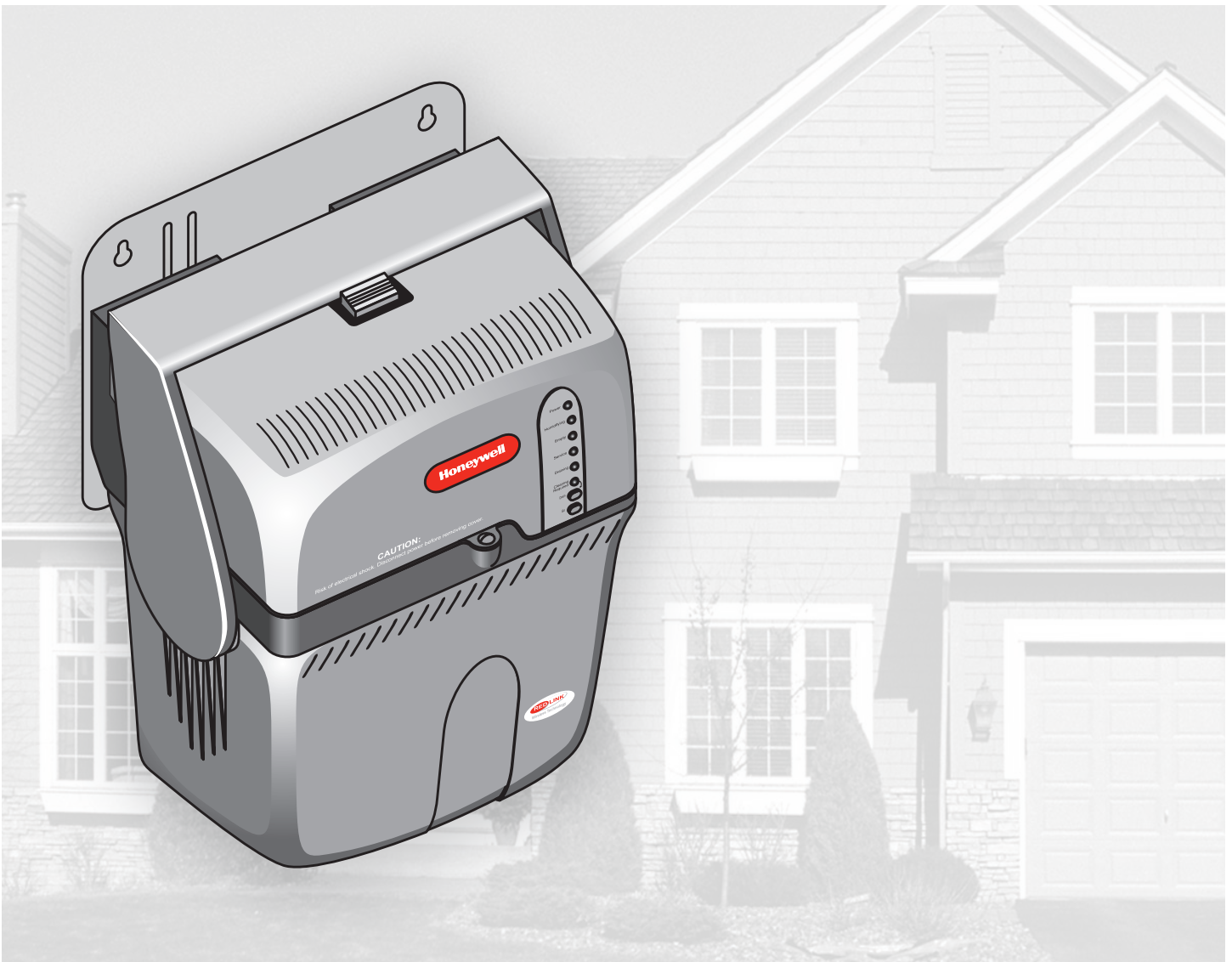


# TrueSTEAM™ Homeowner's Manual

HOMEOWNER'S OPERATING MANUAL





## INTRODUCTION

Safety Definitions and Precautions . . . . .	2
Welcome . . . . .	3
How is TrueSTEAM different from other humidifiers? . . . . .	3
What safety features does TrueSTEAM have? . . . . .	3
How should I get started? . . . . .	3
How does TrueSTEAM work? . . . . .	4

## YOUR NEW TrueSTEAM

Which TrueSTEAM model do I have? . . . . .	5
Which humidity control do I have? . . . . .	6
How is my TrueSTEAM installed? . . . . .	7
Duct mounting . . . . .	7
Remote mounting . . . . .	7
What TrueSTEAM parts do I need to know? . . . . .	8
What should I expect from my TrueSTEAM? . . . . .	10

## EVERYDAY OPERATION

How do I operate TrueSTEAM? . . . . .	11
How do I use the humidity control? . . . . .	11
What should my humidity setpoint be? . . . . .	12
What is a frost setting? . . . . .	12
What do the lights tell me? . . . . .	13
When will I press the Drain and Go buttons? . . . . .	14

## CLEANING AND MAINTENANCE

What is the automatic flush cycle? . . . . .	15
Why do I need to manually clean the tank? . . . . .	16
When should I clean the tank? . . . . .	16
How do I clean the tank? . . . . .	16
How do I reassemble and start up TrueSTEAM? . . . . .	18
How do I change the water filter? . . . . .	19
Changing the in-line polyphosphate filter . . . . .	19
Changing the reverse osmosis (RO) filter cartridge . . . . .	20
What should I do at the end of the humidification season? . . . . .	21
What if I go on vacation? . . . . .	21

## SERVICE

What should I do if the Service light is blinking? . . . . .	22
What if I am having a problem with TrueSTEAM? . . . . .	22

## WARRANTY

5-Year Limited Warranty . . . . .	23
-----------------------------------	----



**NEED HELP?** For assistance with this product please visit <http://yourhome.honeywell.com> or call Honeywell Customer Care toll-free at 1-800-468-1502.

## Read and save these instructions.

© U.S. Registered Trademark. Patents pending. Copyright © 2009 Honeywell International Inc. All rights reserved.

# Safety Definitions and Precautions


## Must be installed by a trained, experienced technician.


Read these instructions carefully. Failure to follow these instructions can damage the product or cause a hazardous condition.

Please read this manual completely. It is important that you understand how TrueSTEAM works, and how to safely perform the required maintenance procedures. Read and understand all safety-related labels found on and posted near the TrueSTEAM humidifier. These labels provide additional instructions and important safety information.

### Safety Definitions

These safety terms identify information you must read.


 **CAUTION:** Indicates a hazardous situation which, if not avoided, could cause bodily injury or property damage.


 **WARNING:** Indicates a hazardous situation which, if not avoided, could result in death or serious injury.


### Safety Precautions

#### **Make sure you read and understand the following safety hazards before installing, using, or working with the TrueSTEAM humidifier:**

- Do not direct the steam nozzle at people.
- Water inside tank can be very hot. Read the warning label on TrueSTEAM and make sure you understand the hazards of scalding hot water in the tank.
- Scalding danger from draining water. When the water tank empties, draining water can be hot enough to cause injury. Make sure you know where the water exits the drain hose. Be certain hot water will not pose a hazard to people or pets.

 **WARNING:** Electrocutation Hazard.  
TrueSTEAM uses 120 volts AC, which can cause death or serious injury. Take precautions when servicing TrueSTEAM or when removing the water tank or cover. If in doubt, unplug TrueSTEAM and disconnect HVAC equipment power before servicing.

 **CAUTION:** Heavy Equipment and Water Hazard.  
Improper installation or misuse can cause death, blindness, and water damage to home, and heating element failure. Be sure you know how to turn TrueSTEAM off, and how to drain the water tank safely.

 **CAUTION:** Steam Condensation, Fire, and Freezing Water Hazard.  
Can cause failure of fan or limit control, or result in water damage to home.

# Welcome!

Congratulations on your new humidifier.

The Honeywell TrueSTEAM humidification system provides the high performance and efficiency of steam, with easier maintenance than traditional humidifiers.

We are sure TrueSTEAM will be a welcome addition to your home.

- **How is TrueSTEAM different from other humidifiers?**

- The steam goes directly into your hot air supply duct, rather than evaporating from a wet pad, which requires furnace temperature to produce humidity efficiently.
- TrueSTEAM delivers humidity independent of your furnace. This allows you to achieve ideal humidity levels in your home, year-round.
- TrueSTEAM wastes less water than flow-through humidifiers.
- TrueSTEAM operates automatically, just like a thermostat, to keep your home's humidity at the desired level.
- TrueSTEAM is easy to maintain. Just clean the tank as instructed. The tank is easily accessible and does not require tools to remove it.

- **What safety features does TrueSTEAM have?**

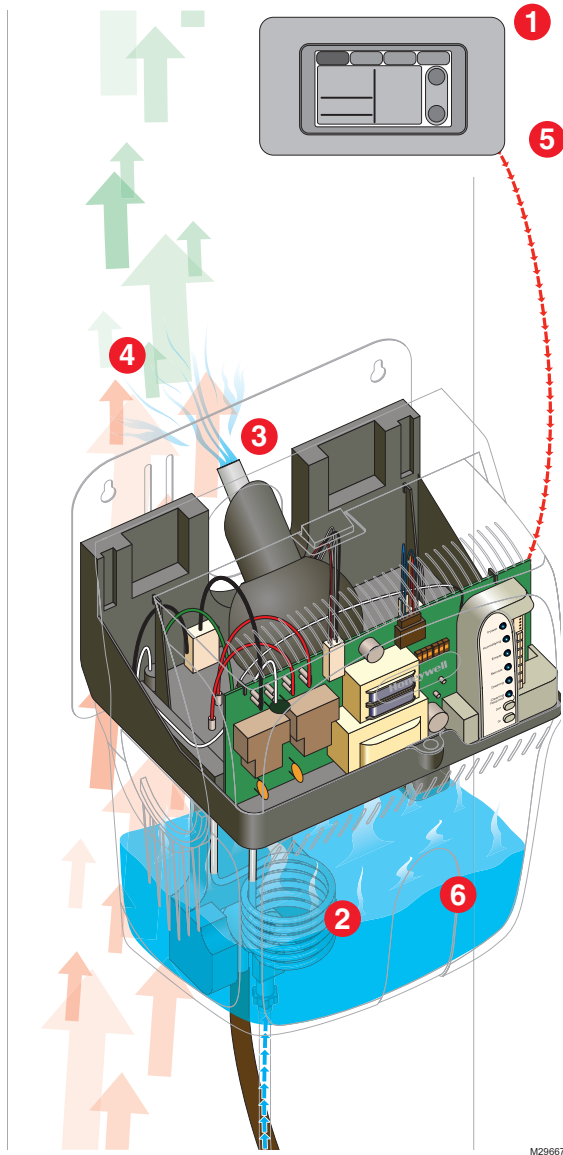
- An interlock switch located inside the water tank shuts off 120 VAC power to TrueSTEAM when the tank is removed.
- Three sets of sensors constantly monitor water level in the tank. The sensors prevent the tank from being over-filled and from running dry.

- **How should I get started?** Your TrueSTEAM must be installed by an HVAC Professional Installer. If the TrueSTEAM has just been installed, it should either be running and humidifying your home, or waiting for a humidity call from the humidity control provided.

Once TrueSTEAM is up and running, all you have to do is use the humidity control to change the humidity to your desired comfort.

- Please read this manual completely for tips on getting the most out of your TrueSTEAM.
- Read your humidity control manual and make sure you know how to operate your system.
- If you have questions, now or later, please ask your Installer or call Honeywell Customer Care at 1-800-468-1502.

# How does TrueSTEAM work?



1. A call for humidity comes from the humidity control provided with TrueSTEAM. The humidity control is connected to TrueSTEAM, either with wires or by wireless connection.
2. The heating element coil heats water in the tank to the boiling point.
3. The resulting steam flows out of TrueSTEAM into the hot air supply duct of your HVAC system. If remote mounting is used, the steam flows through an insulated steam hose from TrueSTEAM to your supply duct.
4. Air flow from your furnace fan carries the moisture throughout your home. Your furnace may or may not be heating the air, depending on your thermostat setting and TrueSTEAM configuration.
5. When humidity in your home reaches the setpoint, the humidity call ends and TrueSTEAM stops producing steam. The furnace fan may continue to run until humidity in the duct is completely distributed to your home.
6. Sensors monitor water level in the tank. The built-in solenoid valve opens and closes to automatically refill the tank, as needed. During long periods of inactivity, the tank will drain completely to prevent water stagnating. The tank will automatically refill when there is demand for humidity.

# Which TrueSTEAM model do I have?

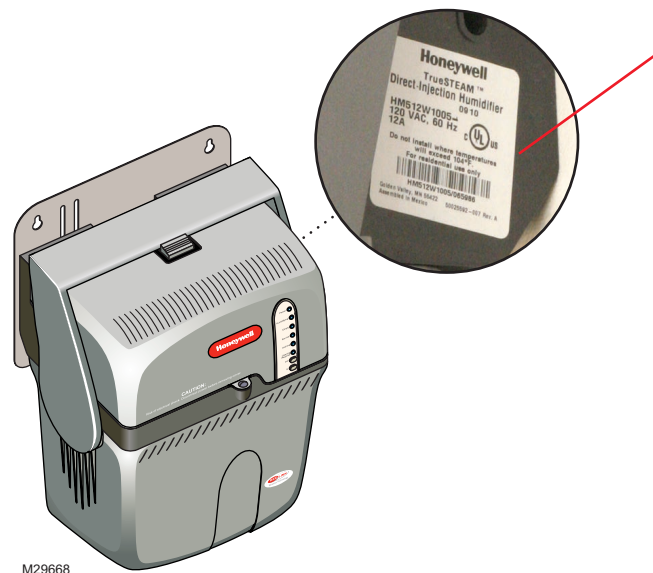
TrueSTEAM is available in three sizes, each with a different humidifying capacity:

- HM506 Delivers up to 6 gallons of water each day into your home. This is generally suitable for homes 4,000 to 14,400 cubic feet in size.
- HM509 Delivers up to 9 gallons of water each day into your home. It is generally suitable for homes 8,000 to 18,400 cubic feet in size.
- HM512 Delivers up to 12 gallons of water each day into your home. This model is generally suitable for homes 12,000 to 24,000 cubic feet in size.

The proper model for your home depends on many factors. Size of the area to be humidified, ceiling height, window and insulation type, as well as your geographic area, all affect how much humidity your home needs.

Some activities in your home may create heavier loads for TrueSTEAM. Vented fireplaces, high exhaust from fans, or driers can reduce humidity in your home and make TrueSTEAM work harder.

Your Professional Installer or salesperson will have considered these and other factors when choosing the best TrueSTEAM model for your unique situation.



This label displays the model number and date code of your TrueSTEAM.

YOUR NEW  
TrueSTEAM

# Which humidity control do I have?

TrueSTEAM comes with a humidity control. Your humidity control will either be included in your home thermostat (RedLINK Prestige or VisionPRO IAQ), or it will be a separate device (TrueIAQ or H8908). You will use the humidity control to set the desired humidity level for your home, and to turn TrueSTEAM on and off.

YOUR NEW  
TrueSTEAM



## RedLINK Prestige™ High-Definition Color

- Advanced wireless control of air quality equipment
- Automatically controls temperature, TrueSTEAM, and other air quality equipment
- Shows actual and desired humidity on an intuitive digital display
- Wireless sensor for displaying outdoor temperature and humidity
- Maintenance and service reminders



## VisionPRO™ IAQ

- Automatically controls temperature, TrueSTEAM, and other air quality equipment
- Sensor for displaying outdoor temperature
- Easy 7-day temperature programming on an intuitive digital display
- Maintenance and service reminders



## TrueIAQ™

- Automatically controls air quality equipment
- Sensor for displaying outdoor temperature and humidity
- Shows actual humidity and desired setting
- Maintenance and service reminders



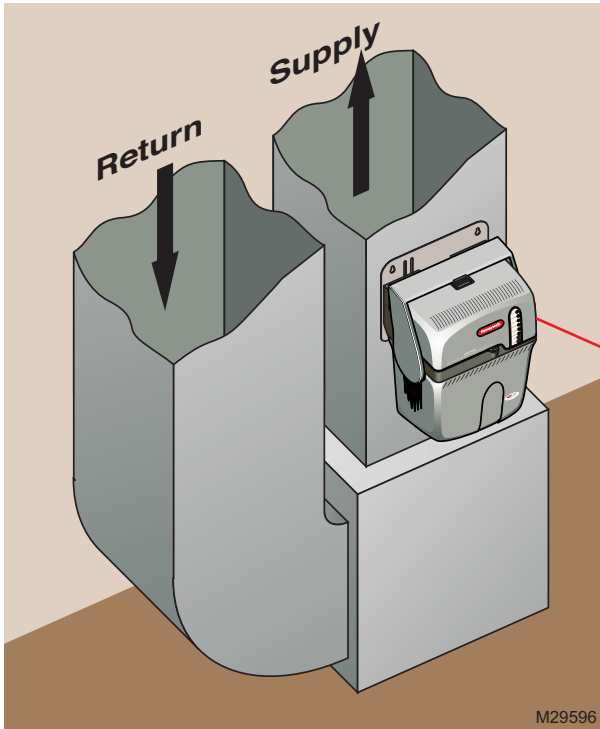
## H8908 Manual Control

- Manual humidity control with intuitive comfort settings
- Integrated humidity chart for accurate control in changing conditions

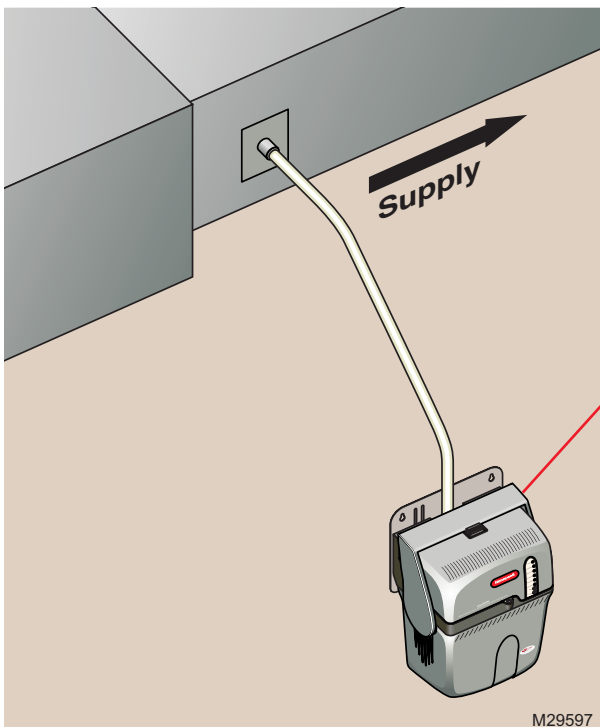


# How is my TrueSTEAM installed?

Your HVAC Professional Installer will install TrueSTEAM in a proper location in your home. The best location depends on your furnace type and configuration, and how your living space is arranged around the furnace ducts. Your TrueSTEAM will be either duct mounted or remote mounted.



**Duct mounting.** TrueSTEAM is installed directly onto the supply (hot) air duct of your furnace. The steam nozzle sends steam directly from TrueSTEAM into the duct for distribution through your home.



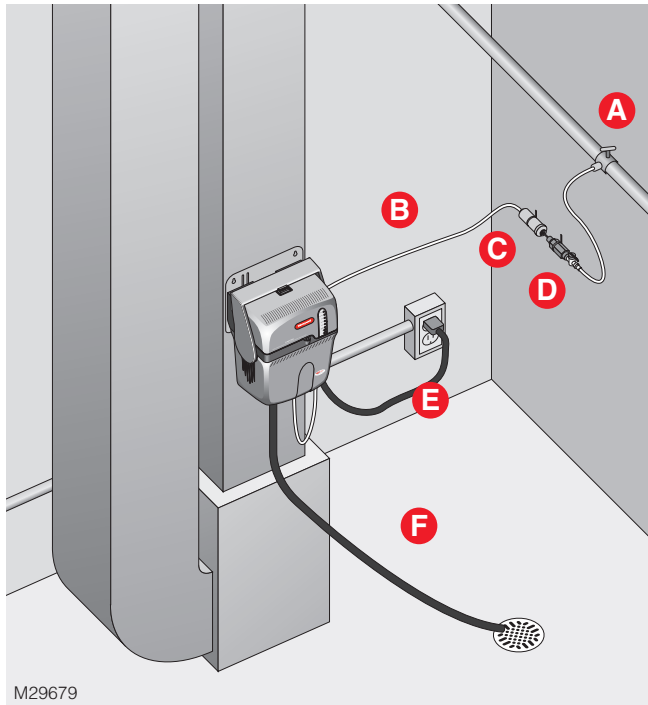
**Remote mounting.** TrueSTEAM is installed some distance away from your furnace supply duct. An insulated hose carries steam from TrueSTEAM to a suitable location on the supply duct.

Remote mounting is usually done when a suitable mounting location can not be found on your furnace duct.

YOUR NEW  
TrueSTEAM

# What TrueSTEAM parts do I need to know?

Your TrueSTEAM installation includes the following parts and components that you should be familiar with:



YOUR NEW  
TrueSTEAM

## A. Cold Water Connection with Shutoff Valve

Provides the connection from TrueSTEAM to your home's cold water pipe. Your Professional Installer may have used the saddle valve that came with TrueSTEAM, or may have chosen a different type of connection. This connection must include a shutoff valve for you to turn off water flow to TrueSTEAM, if necessary.

**IMPORTANT:** TrueSTEAM requires cold water. Do not connect a hot water supply to TrueSTEAM.

## B. Water Supply Line

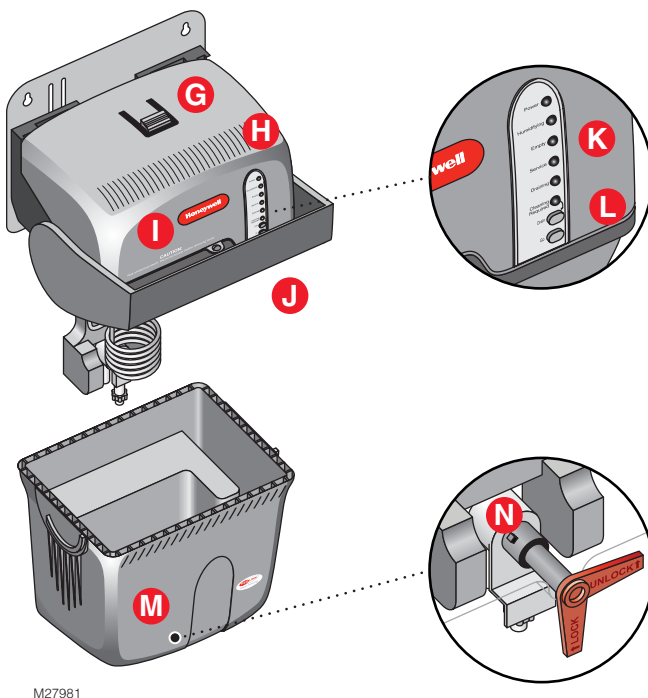
This 1/4-inch line brings cold water to TrueSTEAM from a water pipe in your home. Your Professional Installer may have used the plastic line provided or a copper pipe, as appropriate.

## C. In-line Water Filter

It is likely the installer provided a water filter on the water supply line leading to TrueSTEAM. This helps minimize mineral deposits forming in TrueSTEAM's tank. For optimal performance, replace this water filter once each humidification season. See "How do I change the water filter?" on page 19.

## D. Shutoff Valve and Backflow Preventer

This valve was provided by Honeywell and is required by code. It prevents water from flowing backward in the water supply line.



### E. Power Cord

TrueSTEAM is plugged into a 120 volt AC household electrical outlet. The power cord provided is 6 feet long.

### F. Water Drain Line

This 1/2-inch hose drains water from TrueSTEAM to a drain in your home. The tank is drained automatically when TrueSTEAM performs an automatic flush cycle, and at the end of the humidification season. You may also drain the tank manually in order to clean the tank or perform additional maintenance.

### G. Safety Release Button

This button prevents the tank release lever from accidentally moving forward and releasing the water tank. Press and hold the button down to move the lever forward.

### H. Ventilation Holes

These holes provide airflow for the electronic components inside the TrueSTEAM cover. Normal maintenance includes keeping these holes clean.

### I. TrueSTEAM Cover

TrueSTEAM wiring connections and electronic components are located behind the cover. There are no homeowner-serviceable parts here, and the cover should only be removed by a qualified HVAC Service Technician.

### J. Tank Release Lever

This lever locks the water tank in place on TrueSTEAM. Press the safety release button, then pull the lever forward to release the water tank when removing for cleaning or service.

**IMPORTANT:** Only remove the tank after it is completely empty. See *“How do I clean the tank?”* on page 16.

### K. Light Display

The six lights are on or blinking to indicate TrueSTEAM's operational status and when service is required. See *“What do the lights tell me?”* on page 13.

### L. TrueSTEAM Buttons

The two buttons are the only controls located on TrueSTEAM. They are seldom used by the homeowner. (Remember, day-to-day operation is done using your humidity control.) Use the Drain button to manually drain the water tank. Use the Go button to reset TrueSTEAM when restarting the system. See *“When will I press the Drain and Go buttons?”* on page 14.

### M. Water Tank

The tank holds the water that TrueSTEAM heats and converts to steam. The tank can be removed for cleaning.

### N. Manual Shutoff Valve

Turn this valve by hand to either of two positions:

**Lock:** The valve will be locked during operation. This turns the water supply on and locks the solenoid valve in place. (TrueSTEAM uses the solenoid valve to control water flow into the tank.)

**Unlock:** Turning the valve to “Unlock” seals the bottom of the tank and the water supply to avoid leaks when performing manual cleaning of the tank. It also disengages the solenoid valve so that you can push the solenoid back in its base to release the tank. Once this is done, you can pull the tank release lever forward to remove the tank for cleaning. See *“How do I clean the tank?”* on page 16.

# What should I expect from my TrueSTEAM?

Honeywell wants to make sure you know what to expect from your new TrueSTEAM installation. Make sure you discuss these items with your Professional Installer:

- **Achieving Humidity Setpoint.** It may take up to a week of continuous operation to initially achieve the humidity setpoint. This depends on factors such as weather, size of home, furnishings in the home, and insulation. Once this is achieved, TrueSTEAM should not have to run as much to maintain humidity.
- **Plastic or Rubber Odor.** When the humidifier starts up after the initial installation, it is normal to smell a slight plastic odor in the home. If the remote hose is used, there may be a slight rubber odor. These odors will go away within a few days.
- **Ideal Humidity.** 35% relative humidity in typical winter weather is considered ideal for indoor comfort by industry experts. You can adjust to your own comfort or until there is condensation on the windows. Lower the setpoint if condensation appears.
- **Unit Not Humidifying.** If TrueSTEAM is not running but the humidity is below the desired setting, the humidity control may have a frost protection setting. See *“What is a frost setting?”* on page 12. Note that TrueSTEAM will not humidify while in an automatic flush cycle.
- **Setpoint Not Reached.** If humidity doesn’t reach the setpoint, TrueSTEAM may be under-sized for the home. This can be due to insulation, windows, arid climate, and other environmental factors. Also, the outdoor temperature may be too low to maintain the humidity level. If the desired humidity is still not reached, then a larger capacity TrueSTEAM may be needed.
- **Home Ventilation.** Excessive ventilation exhausts humidified air and replaces it with dry air. This can make it hard to maintain the humidity setpoint. If you are installing a ventilator, use a solution that retains moisture. An Energy Recovery Ventilator (ERV) is recommended.
- **Cleaning Required Light.** If the Cleaning Required light is on, clean TrueSTEAM using the steps found in *“How do I clean the tank?”* on page 16. TrueSTEAM will continue to run normally while the Cleaning Required light is on.
- **Hard Water.** Your home’s water hardness determines how often TrueSTEAM must be cleaned and how often the water filter needs to be replaced.
- **Energy Consumption.** You may notice a slight increase in overall energy consumption when operating any humidifier. However, TrueSTEAM will make the home feel warmer. This allows you to lower the temperature setting on the thermostat. Every degree lower on the thermostat can save up to 3% on heating costs.

# How do I operate TrueSTEAM?

Once TrueSTEAM is installed and running, operation is automatic. Use the humidity control provided to make any changes to the setpoint, or to turn TrueSTEAM on or off.

Your Professional Installer configured TrueSTEAM so that it only creates steam when conditions in your HVAC system are right. Steam can only be produced when your system fan is blowing air through the duct.

Be sure to read the manual that came with your humidity control. Ask your Professional Installer if you have questions about how to operate TrueSTEAM.

- **How do I use the humidity control?** Whenever humidity in the home is lower than the humidity control's setpoint, the control will call for humidity. Some controls will also monitor outdoor conditions to ensure indoor humidity does not condense on windows and walls. Refer to the manual provided with your humidity control for instructions on setting the control. There are two different types of humidity control:

## Thermostat with integrated humidity control (such as VisionPRO IAQ or RedLINK Prestige).



This arrangement allows you to control your furnace, central air conditioning, and TrueSTEAM, all with one device.

## Humidity control separate from the thermostat (such as the H8908 or TrueIAQ).



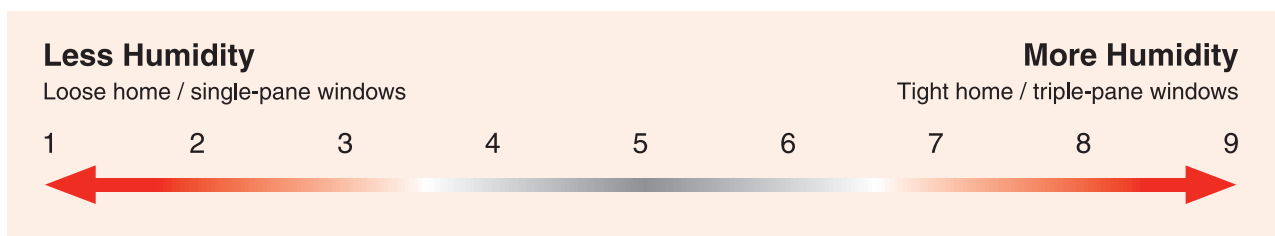
With this arrangement, you will use your current thermostat to control your furnace and central air conditioning. Use the separate humidity control to control your TrueSTEAM.

- **What should my humidity setpoint be?** The outdoor air temperature affects how much humidity can be retained by the air in your home. Use this table as a starting point. Then adjust the humidity control to your own comfort or until condensation appears on the windows.

Outdoor Temperature	Recommended Relative Humidity Setting
-20°F (-29°C)	15%
-10°F (-23°C)	20%
0°F (-18°C)	25%
10°F (-12°C)	30%
20°F (-7°C)	35%
>20°F (-1°C)	35%

- **What is a frost setting?** Some humidity controls (such as Prestige, VisionPRO IAQ, and True IAQ) contain a Window Frost Protection feature which limits humidity output based on outdoor conditions. For example, on colder days, the air in your home can hold less humidity. The humidity control automatically lowers the humidity setpoint accordingly, to prevent frost from appearing on the inside of your windows.

Lower the frost setting by one value each morning that you see frost or condensation on windows. Allow 24 hours for the new setting to take effect before re-adjusting. Once you have this set to a comfortable level without condensation, you will not need to adjust further. You can adjust your humidity setpoint without worrying about condensation.

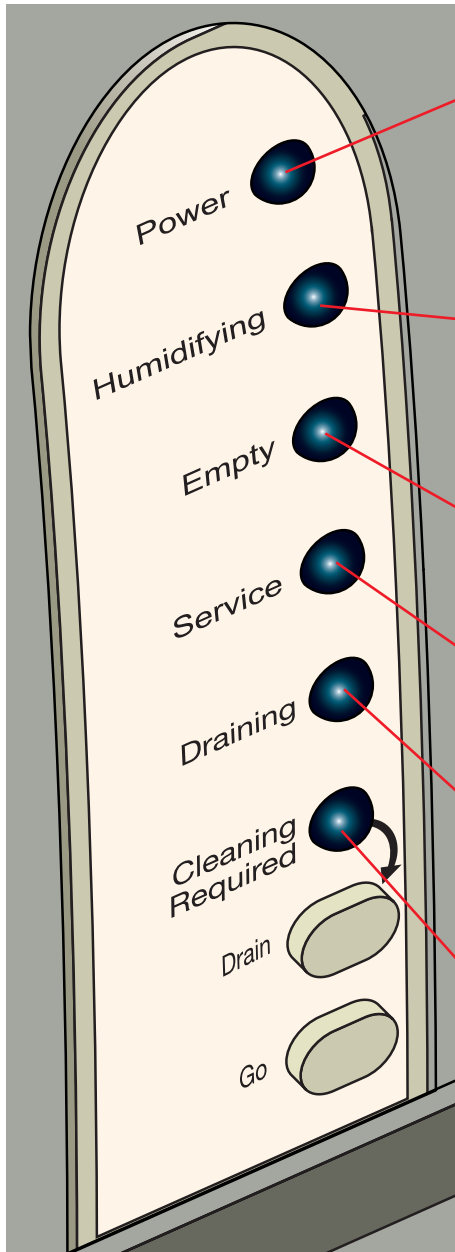


M27982

Manual humidity controls (such as the H8908) do not have built-in frost settings. They require you to adjust the humidity setpoint when the outdoor temperature changes. Use higher humidity setpoints when the temperature is warmer, and lower setpoints when the temperature is cooler.

# What do the lights tell me?

The six lights show TrueSTEAM status and indicate when service needs to be performed.



M29628

**Power (Green).** On indicates the power cord is plugged in.

**Humidifying (Green).**

**Lit** – TrueSTEAM is actively heating water and creating steam.

**Blinking** – TrueSTEAM is resetting or filling. This is usually done when plugging in the power cord, and lasts for about 3 minutes. You can press the Go button to reset TrueSTEAM immediately.

**Dark** – TrueSTEAM is in Ready mode – it can heat water and produce steam when a humidity call comes from the control.

**Empty (Green).** When on, the water tank is empty and can be removed for manual cleaning.

**Service (Red).**

**Blinking** – The number of blinks (1–18) shows the type of fault TrueSTEAM has detected. See “What should I do if the Service light is blinking?” on page 22.

**Draining (Yellow).**

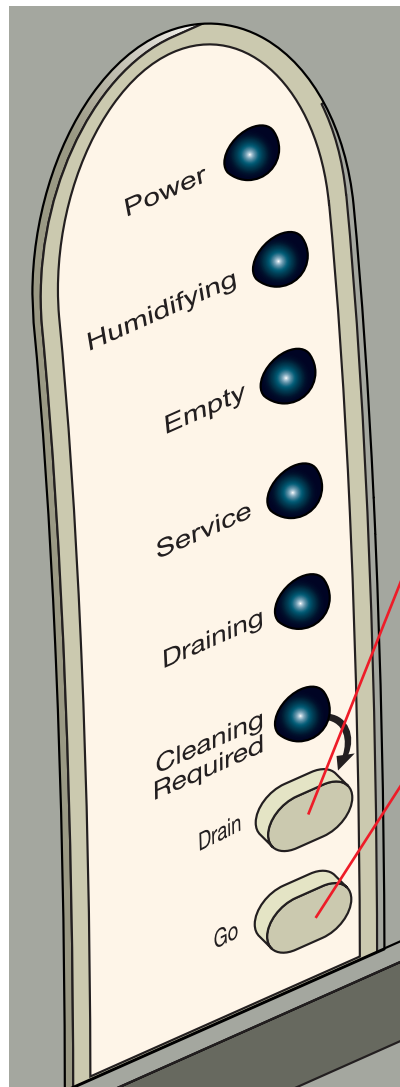
**Blinking** – TrueSTEAM is flushing water from the tank for manual cleaning. See “What is the automatic flush cycle?” on page 15.

**Cleaning Required (Yellow).**

**On** – Indicates that the tank needs to be cleaned manually. See “How do I clean the tank?” on page 16.

## When will I press the Drain and Go buttons?

The two buttons are used when starting TrueSTEAM and to manually drain the tank.



M29628

**Drain Button:** Press and hold to drain water from the TrueSTEAM tank. See “How do I clean the tank?” on page 16.

When the Draining light is blinking, TrueSTEAM is actively flushing water during a manual drain.

**Go Button:** Press to start or reset TrueSTEAM when the Humidifying light is blinking.

Pressing and holding Go also clears the blinking Service light and stops water draining from the tank.

**Drain and Go Button:** Pressing and holding both the Drain and Go buttons in at the same time will interrupt the water cooling cycle and immediately drain the tank.

**IMPORTANT:** Pressing and holding the Drain and Go buttons together—when the Draining light is already on—causes TrueSTEAM to empty the tank, regardless of water temperature. Make sure the drain outlet can handle up to 212°F (100°C), or wait at least 45 minutes to allow the water to cool before using this feature.



### **CAUTION: Scalding Hazard.**

Initial temperature of the drain water may be above 140°F (60°C) and can cause scalding injury. Make sure the drain outlet is not exposed, and use caution when pressing the Drain button.



## What is the automatic flush cycle?

TrueSTEAM automatically flushes out the water tank during the humidifying season. In the automatic flush cycle, cold water enters the tank while water is being emptied through the drain line. The action of simultaneous filling and draining cools the water to a safe draining temperature. It also dilutes water hardness concentration to reduce mineral deposits from forming in the tank.

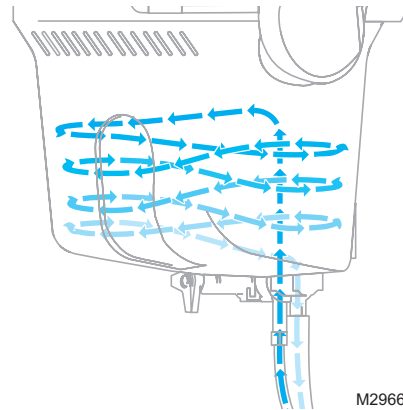
At the end of the automatic flush cycle, TrueSTEAM refills the tank with fresh water, and automatically returns to normal operation.

Automatic flush is performed regularly, based on the number of hours that TrueSTEAM heats water and produces steam. Automatic flush can be set to occur at any of the following intervals:

#### Autoflush Intervals

- 8 hours (recommended for hard water)
- 12 hours (factory setting)
- 20 hours (when a water softener is installed)
- 30 hours (when an optional RO filter is installed)

Your Professional Installer set TrueSTEAM to flush at the appropriate interval for your installation. During any service call, the automatic flush interval can be changed, if desired.



#### **CAUTION: Scalding Hazard.**

Initial temperature of the drain water may be above 140°F (60°C) and can cause scalding injury. Make sure the drain outlet is not exposed, and use caution when pressing the Drain button.

# Why do I need to manually clean the tank?

Manual cleaning is needed at least once each season to clean out the mineral deposits that remain in the tank after automatic flushing. Manual cleaning is easy – just empty and remove the water tank and clean the interior components. Then re-assemble and start TrueSTEAM up again.

- **When should I clean the tank?** TrueSTEAM should be manually cleaned at least once every 5 months. (Hard water may require more frequent cleaning.) The Cleaning Required light turns on when the tank needs manual cleaning. TrueSTEAM will still operate normally when the Cleaning Required light is on. The light will turn off when you have cleaned the tank and re-started TrueSTEAM.

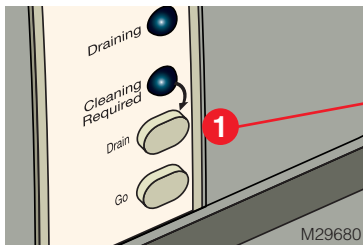
Note: The Cleaning Required light turns on when the tank drains too slowly during a manual flush cycle. (This is probably due to tank sediment.) TrueSTEAM will still operate as normal. If during the next manual flush cycle, the tank drains normally, the Cleaning Required light will stop blinking.



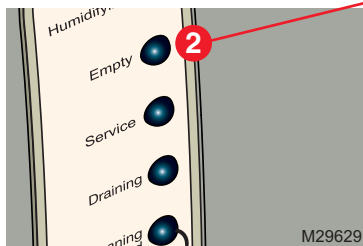
## CAUTION: Scalding Hazard.

Initial water temperature may be above 140°F (60°C) and can cause scalding injury. Make sure the drain outlet is not exposed, and use caution when pressing the Drain button.

- **How do I clean the tank?** Follow these steps to manually clean TrueSTEAM:

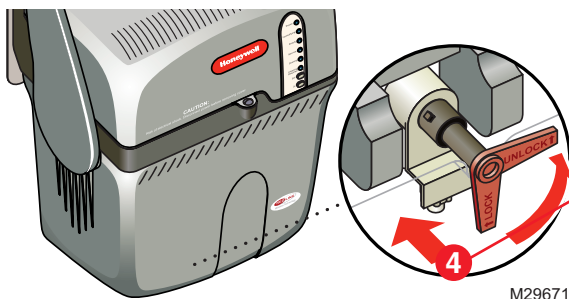


Press the Drain button to initiate a flush cycle and empty the water tank. You will know the tank is draining when the Draining light is blinking.



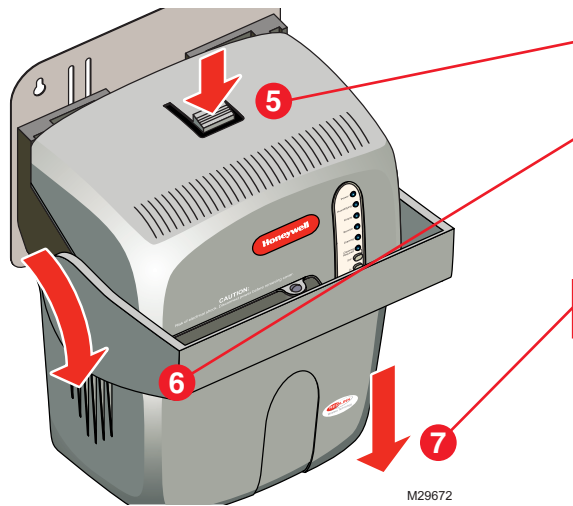
Wait for the Empty light to turn on. (It takes about 45 minutes for the tank to drain.) This indicates that the water has finished draining.

**IMPORTANT:** You can stop a manual flush once the cycle has started by pressing and holding the Drain button while the Draining light is already blinking. The tank will refill and TrueSTEAM will return to normal operation in about 5 minutes.



Turn the manual shutoff valve at the tank bottom to the “Unlock” position.

Grip the white water valve arm and push it back to disconnect it from the tank.

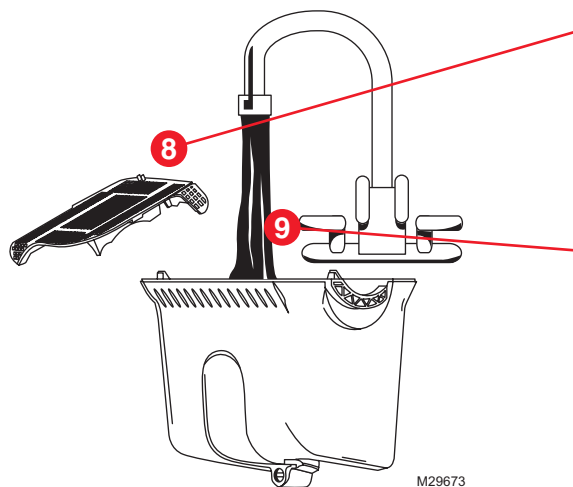


First, firmly grip the tank bottom. Then push down the safety release button.

Pull the latch forward to release the tank.

Note: The latch remains attached to TrueSTEAM and is not removed with the tank.

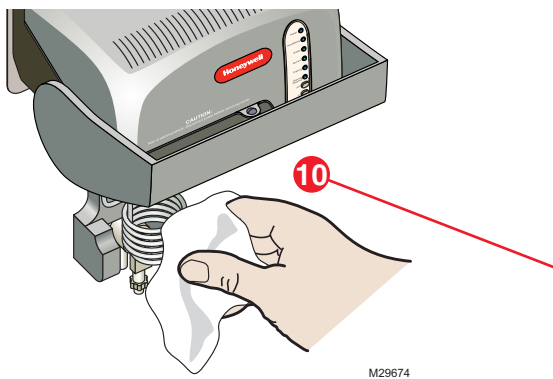
Remove the tank.



Remove the sediment screen from the bottom of the tank.

Use tap water to flush loose minerals from the tank and sediment screen:

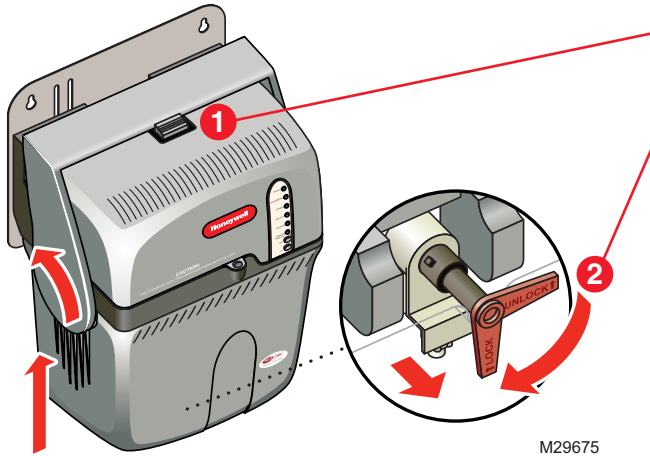
- For a more thorough cleaning, soak tank in warm water. Then rinse clean. Tank is dishwasher safe.
- Honeywell recommends CLR®, LimeAway®, or white vinegar for cleaning. Do not use hydrocarbon- or oil-based cleaners.



Unplug the TrueSTEAM, and carefully rub minerals off the heating element and reservoir walls.

- Scouring pads suitable for non-stick pots or pans may be used to clean the TrueSTEAM reservoir walls and components within the tank.
- For more thorough element cleaning, Honeywell recommends soaking with CLR®, LimeAway®, or white vinegar. Do not use hydrocarbon- or oil-based cleaners.

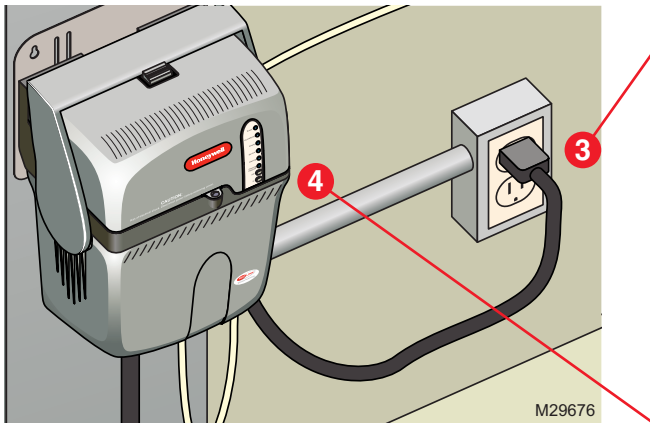
**How do I reassemble and start up TrueSTEAM?** Follow these steps to reassemble the tank and start up TrueSTEAM after cleaning:



Attach tank by raising the latch.

Pull the white water valve forward to connect to the the black spool. Then turn the manual shutoff valve to the “Lock” position.

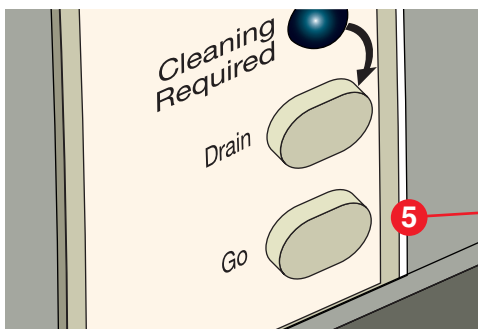
M29675



Plug in the power cord.

The Power light will be on at start-up. If the humidity control is also actively calling for humidity, the Humidifying light will blink. This indicates that TrueSTEAM is waiting to act on the call to allow time for the tank to be fully connected.

M29676



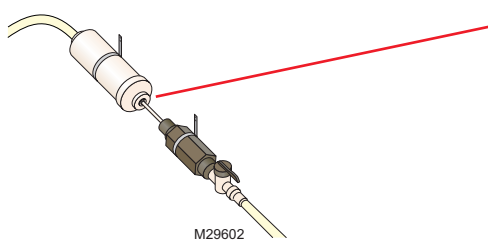
Press the Go button to make TrueSTEAM ready for use. You must actively call for humidity from the humidity control for TrueSTEAM to produce steam.

Note: You don't have to press the Go button after plugging in the power cord. TrueSTEAM will wait for 5 minutes and then automatically reset itself.

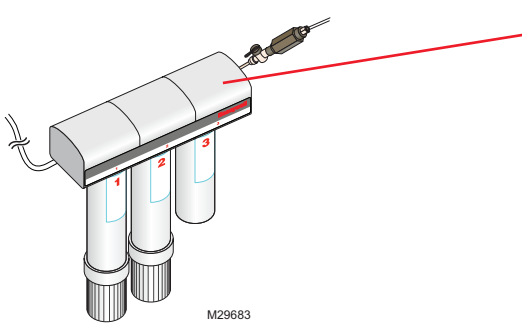
M29677

# How do I change the water filter?

Your HVAC Professional Installer chose one of these two in-line water filters for use with your TrueSTEAM. The selection was based on the hardness of your home's water supply. Both types of filter must be replaced at least once every humidification season:

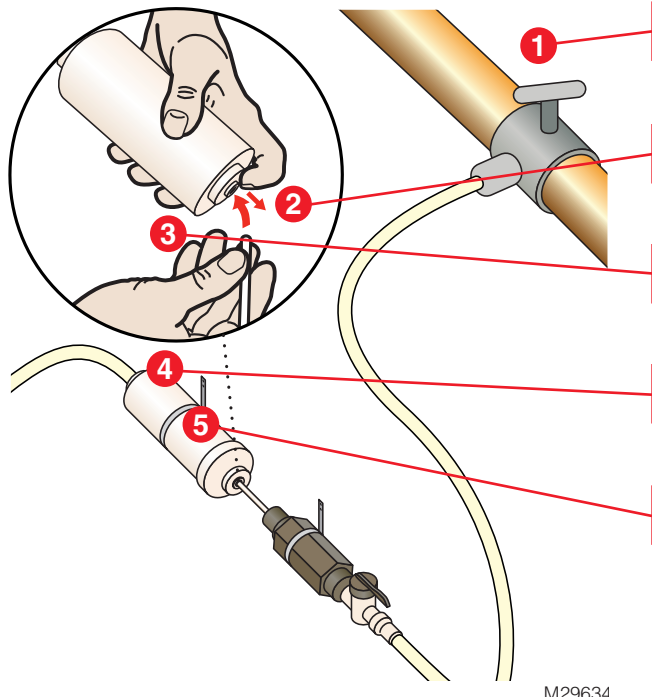


Polyphosphate water filter with backflow preventer.



Reverse osmosis (RO) filter with backflow preventer.

- **Changing the in-line polyphosphate filter.** Your Professional Installer will have secured the water filter and backflow preventer valve in a place where you can reach them. Follow the water supply line from TrueSTEAM to find the filter.



1 Turn the water supply off at the saddle valve or T-fitting and manual shutoff valve.

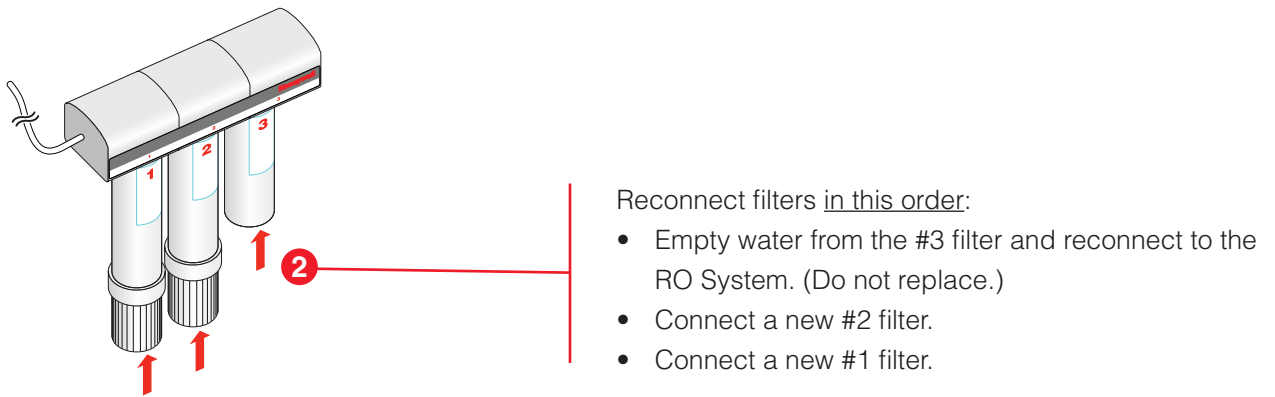
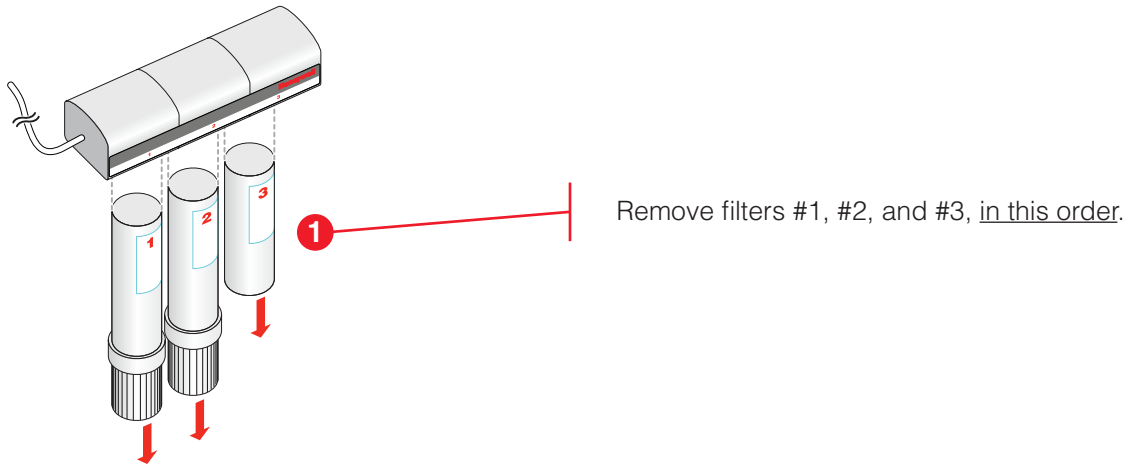
2 Press down the filter collar ring and pull out the 1/4-inch water line from each side of the filter.

3 Insert the 1/4-inch line into a new filter. Apply a modest pull to ensure a tight fit.

4 Be sure to install the new filter correctly. The arrows on the filter must point to TrueSTEAM.

5 Secure the new filter in place, using the bracket or strap that your Installer provided.

- **Changing the reverse osmosis filter cartridges.** If the reverse osmosis filter is used in your installation, you will need to replace two filter cartridges once every humidification season. Notice that the reverse osmosis filter option has more components than the in-line filter and includes a separate drain line. This option provides better filtration and prevents harder water from flowing into your TrueSTEAM.



M29663

# What should I do at the end of the season?

TrueSTEAM automatically shuts down when humidity is not needed for an extended period. After several days of inactivity, the water tank will drain and remain empty until humidity is called again. This prevents water from stagnating inside the tank. TrueSTEAM will refill the tank with water and reset itself when your control calls for humidity again.

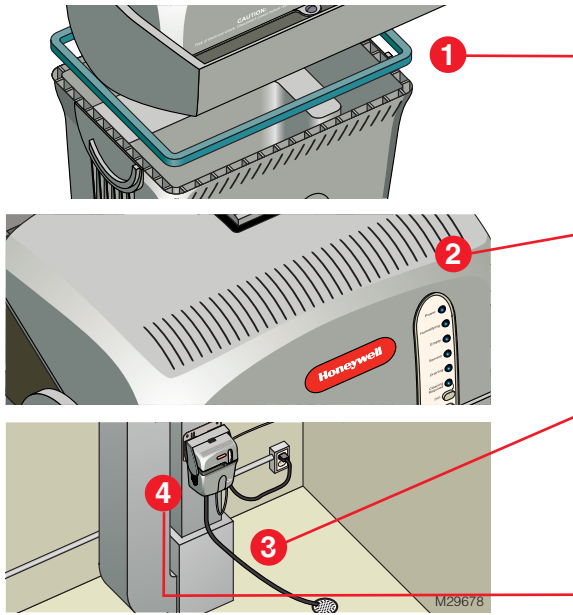
Follow these maintenance steps at the end of the heating season. Doing this each year helps keep your TrueSTEAM at peak efficiency:



### **WARNING! Electrocutation Hazard.**

During cleaning, TrueSTEAM must be unplugged if cover is removed to prevent 120 VAC from being present in the coil and other tank components.

Clean the tank, following the procedure in *"How do I clean the tank?"* on pages 15 - 18. Cleaning the tank at the end of the season ensures TrueSTEAM will be ready to perform the next time your home needs humidity.



1 Examine the water tank gasket. If the gasket is cracked or split, it must be replaced before re-attaching the water tank.

2 Clean out the ventilation holes in the TrueSTEAM cover.

3 Clear the water drain tube connected to the solenoid valve. Disconnect the hose and inspect for blockage, then run hot tap water through the hose.

4 Check that TrueSTEAM is still installed in a level position.

- **What if I go on vacation?** Even though TrueSTEAM's water tank will drain automatically after several days, Honeywell recommends shutting off the TrueSTEAM water supply and turning off the humidity control for extended leaves. Upon return, turn on the water supply and reset the control to the desired setpoint.

## What should I do if the Service light is blinking?

The red Service light blinks when the internal diagnostics detect a problem with TrueSTEAM. Follow these steps to try and correct the problem:

1. Press and hold the Go button to clear the fault. If TrueSTEAM can reset itself, the Service light will stop blinking, and TrueSTEAM will operate normally. No further action is required.
2. If the fault doesn't clear, unplug the TrueSTEAM power cord and plug it back in to the electrical outlet.
3. If the fault reappears, wait 24 hours before calling a HVAC Professional Installer. TrueSTEAM may correct itself automatically.

## What if I am having a problem with TrueSTEAM?

If you have difficulty with TrueSTEAM, please try the following suggestions. Most problems can be corrected quickly and easily.

Problem	Symptoms or Causes	Steps to Fix (Performed Only By Professional HVAC Technician)
Low humidity	TrueSTEAM not producing steam.	<ol style="list-style-type: none"> <li>1. Confirm the Power light is on.</li> <li>2. Set the humidity control and/or frost setting higher. See <i>"How do I use the humidity control"</i> on page 11.</li> <li>3. Check that the furnace power is on.</li> <li>4. Reset your circuit breaker or check for a blown fuse.</li> <li>5. If fault persists, turn the humidity control off. Unplug TrueSTEAM, reset circuit breaker, and call a HVAC Professional Contractor.</li> </ol>
	Rapid air changes. Drafts (cold air is dry and is an added load for TrueSTEAM).	<ol style="list-style-type: none"> <li>1. Keep doors and windows closed.</li> <li>2. Close fireplace damper when not in use.</li> <li>3. Keep exhaust fan running time to a minimum.</li> <li>4. Seal around doors and windows.</li> <li>5. Ask your Professional Installer about ventilation solutions that retain indoor humidity (such as an Energy Recovery Ventilator).</li> </ol>
High humidity	Condensation on walls.	<ol style="list-style-type: none"> <li>1. Turn off the humidity control and/or frost setting until condensation has completely evaporated.</li> <li>2. Once condensation has evaporated, readjust the humidity setpoint and/or frost setting to a lower setting to prevent reoccurrence of condensation. See <i>"How do I use the humidity control?"</i> on page 11.</li> </ol>
	Heavy condensation on windows.	<ol style="list-style-type: none"> <li>1. Turn the humidity control down low enough to eliminate condensation caused by moisture from bathing, mopping, cooking, etc.</li> <li>2. If moisture persists, more ventilation is needed.</li> </ol>



## 5-Year Limited Warranty

Honeywell warrants this product to be free from defects in the workmanship or materials, under normal use and service, for a period of five (5) years from the date of purchase by the consumer. If at any time during the warranty period the product is determined to be defective or malfunctions, Honeywell shall repair or replace it (at Honeywell's option).

If the product is defective,

- (i) return it, with a bill of sale or other dated proof of purchase, to the place from which you purchased it; or
- (ii) call Honeywell Customer Care at 1-800-468-1502. Customer Care will make the determination whether the product should be returned to the following address: Honeywell Return Goods, Dock 4 MN10-3860, 1885 Douglas Dr. N., Golden Valley, MN 55422, or whether a replacement product can be sent to you.

This warranty does not cover removal or reinstallation costs. This warranty shall not apply if it is shown by Honeywell that the defect or malfunction was caused by damage which occurred while the product was in the possession of a consumer.

Honeywell's sole responsibility shall be to repair or replace the product within the terms stated above. HONEYWELL SHALL NOT BE LIABLE FOR ANY LOSS OR DAMAGE OF ANY KIND, INCLUDING ANY INCIDENTAL OR CONSEQUENTIAL DAMAGES RESULTING, DIRECTLY OR INDIRECTLY, FROM ANY BREACH OF ANY WARRANTY, EXPRESS OR IMPLIED, OR ANY OTHER FAILURE OF THIS PRODUCT. Some states do not allow the exclusion or limitation of incidental or consequential damages, so this limitation may not apply to you.

THIS WARRANTY IS THE ONLY EXPRESS WARRANTY HONEYWELL MAKES ON THIS PRODUCT. THE DURATION OF ANY IMPLIED WARRANTIES, INCLUDING THE WARRANTIES OF MERCHANTABILITY AND FITNESS FOR A PARTICULAR PURPOSE, IS HEREBY LIMITED TO THE FIVE-YEAR DURATION OF THIS WARRANTY. Some states do not allow limitations on how long an implied warranty lasts, so the above limitation may not apply to you.

This warranty gives you specific legal rights, and you may have other rights which vary from state to state.

If you have any questions concerning this warranty, please write Honeywell Customer Relations, 1985 Douglas Dr. Golden Valley, MN 55422 or call 1-800-468-1502. In Canada, write Retail Products ON15-02H, Honeywell Limited/Honeywell Limitée, 35 Dynamic Drive, Toronto, Ontario M1V 4Z9.

**Automation and Control Solutions**

Honeywell International Inc.  
1985 Douglas Drive North  
Golden Valley, MN 55422

Honeywell Limited–Honeywell Limitée  
35 Dynamic Drive  
Toronto, Ontario M1V 4Z9

<http://yourhome.honeywell.com>

©U.S. Register Trademark  
©2009 Honeywell International Inc.  
69-2286EFS—03 D.T. Rev. 09-09

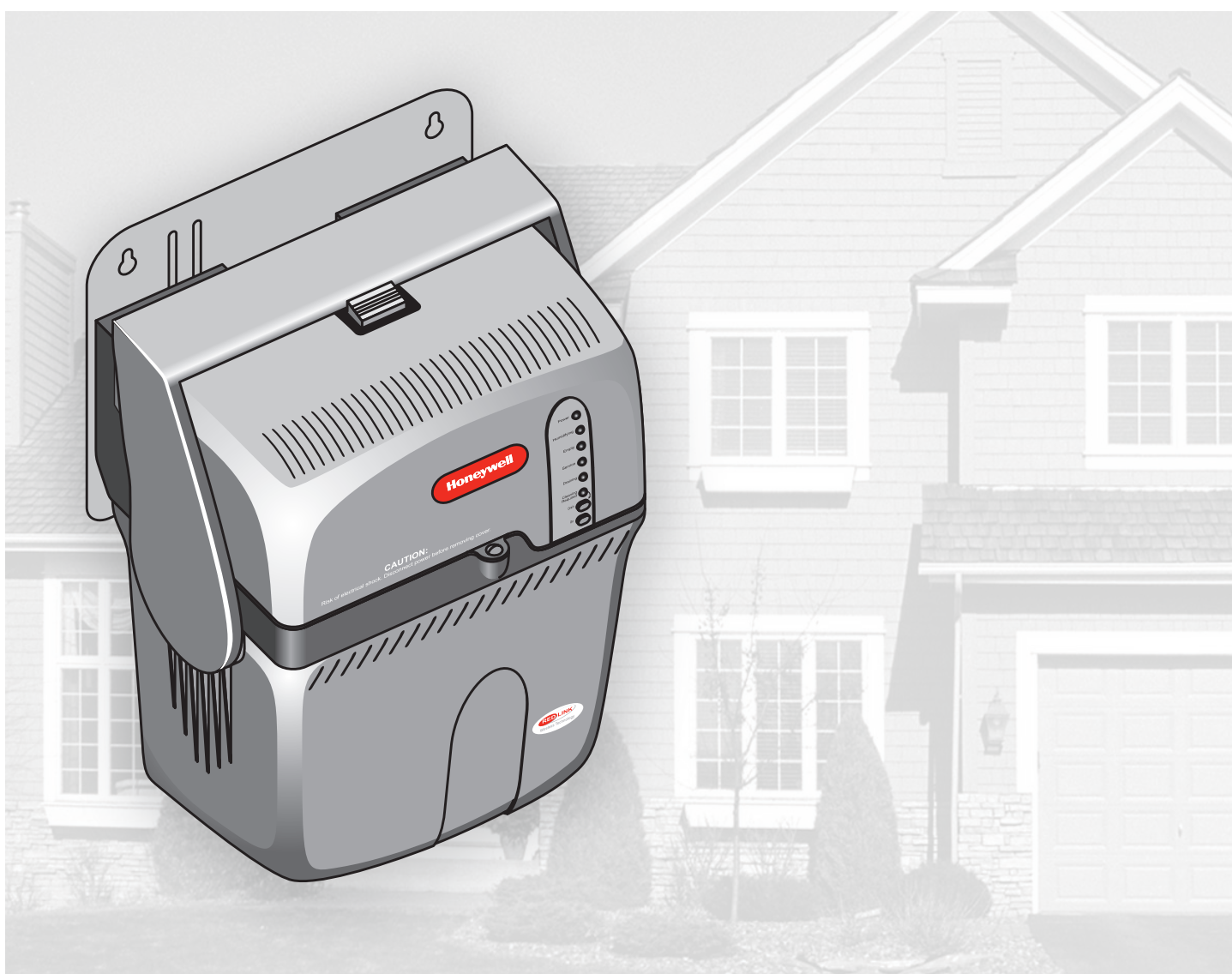


Printed in U.S.A. on recycled  
paper containing at least 10%  
post-consumer paper fibers.

**Honeywell**

# Guide du propriétaire – système TrueSTEAM™

**GUIDE DE FONCTIONNEMENT POUR LE PROPRIÉTAIRE**





## INTRODUCTION

Définitions relatives à la sécurité et précautions . . . .	2
Bienvenue . . . . .	3
En quoi le système TrueSTEAM est-il différent des autres humidificateurs? . . . . .	3
Quels sont les dispositifs de sécurité du système TrueSTEAM? . . . . .	3
Par quoi dois-je commencer? . . . . .	3
Comment fonctionne le système TrueSTEAM? . . . . .	4

## VOTRE NOUVEAU SYSTÈME TrueSTEAM

Quel modèle de système TrueSTEAM ai-je en ma possession? . . . . .	5
Quel régulateur d'humidité ai-je? . . . . .	6
Comment mon système TrueSTEAM est-il installé? . .	7
Montage en gaine . . . . .	7
Montage à distance . . . . .	7
Quelles sont les pièces du système TrueSTEAM qu'il importe de connaître? . . . . .	8
Que dois-je attendre du système TrueSTEAM? . . .	10

## FONCTIONNEMENT QUOTIDIEN

Comment fonctionne le système TrueSTEAM? . . . .	11
Comment utiliser le régulateur d'humidité? . . . .	11
Comment établir le point de consigne d'humidité? . . . . .	12
Qu'est-ce que le réglage de protection contre le gel? . . . . .	12
Que m'indiquent les voyants? . . . . .	13
Quand dois-je enfoncer les boutons Drain (Vidange) et Go (Aller)? . . . . .	14

## NETTOYAGE ET ENTRETIEN

En quoi consiste le cycle de vidange automatique? 15	
Pourquoi dois-je nettoyer manuellement le réservoir? . . . . .	16
Quand dois-je nettoyer le réservoir? . . . . .	16
Comment dois-je procéder pour nettoyer le réservoir? . . . . .	16
Comment dois-je procéder pour remonter et démarrer le système TrueSTEAM? . . . . .	18
Comment dois-je procéder pour remplacer le filtre à eau? . . . . .	19
Remplacement du filtre en polyphosphate en ligne . . . . .	19
Remplacement de la cartouche de filtre à osmose inversée (OI) . . . . .	20
Que dois-je faire à la fin de la période d'humidification? . . . . .	21
Que dois-je faire lorsque je pars en vacances? . 21	

## RÉPARATION

Que dois-je faire si le voyant Service (Réparation) clignote? . . . . .	22
Que dois-je faire si le système TrueSTEAM ne fonctionne plus correctement? . . . . .	22

## GARANTIE

Garantie limitée de 5 ans. . . . .	23
------------------------------------	----



**BESOIN D'AIDE?** Pour de l'assistance au sujet de ce produit, veuillez consulter le site <http://yourhome.honeywell.com> ou téléphoner sans frais aux Services à la clientèle de Honeywell au 1-800-468-1502.

**Veillez lire et conserver ces instructions.**

© Marque de commerce déposée aux États-Unis. Brevets en instance. Copyright © 2009 Honeywell International Inc. Tous droits réservés.

# Définitions et précautions relatives à la sécurité

## L'installation doit être faite par un technicien d'expérience ayant reçu la formation pertinente.

Lisez attentivement ces instructions. Le fait de ne pas les suivre risque d'endommager le produit ou de constituer un danger.

Veuillez lire ce manuel dans son intégralité. Il est important de comprendre le fonctionnement du système TrueSTEAM et de savoir exécuter les procédures d'entretien requises en toute sécurité. Assurez-vous de lire et de comprendre toutes les étiquettes faisant mention de consignes de sécurité qui sont apposées sur l'humidificateur TrueSTEAM ou à proximité de ce dernier. Ces étiquettes fournissent des instructions supplémentaires et des consignes de sécurité importantes.

### Définitions relatives à la sécurité

L'information portant sur l'identification des termes de sécurité doit être lue.

- ⚠ MISE EN GARDE :** Indique une situation dangereuse qui, si elle n'est pas évitée, risque d'endommager le produit ou de causer des blessures corporelles.
- ⚠ AVERTISSEMENT :** Indique une situation dangereuse qui, si elle n'est pas évitée, risque de causer des blessures graves, voire mortelles.

### Précautions relatives à la sécurité

#### Assurez-vous de lire et de comprendre les risques d'accident suivants avant d'installer, d'utiliser ou de manipuler l'humidificateur TrueSTEAM :

- Ne pointez pas la buse de vapeur en direction des gens.
- L'eau à l'intérieur du réservoir peut être très chaude. Assurez-vous de lire l'étiquette d'avertissement sur le système TrueSTEAM et de comprendre les risques d'ébullition inhérents à l'eau chaude du réservoir.
- Risque d'ébullition causé par l'eau qui s'écoule. Lors de la vidange du réservoir, l'eau peut être suffisamment chaude pour causer des blessures. Assurez-vous que vous connaissez le point d'écoulement du tuyau de vidange. Soyez certain que l'eau chaude ne pose pas un risque pour les gens ou les animaux.

- ⚠ AVERTISSEMENT :** Risque d'électrocution.  
Le système TrueSTEAM utilise une tension de 120 V c.a. qui peut causer des blessures graves, voire mortelles. Usez de précaution lors de la réparation du système TrueSTEAM ou lors de la dépose du réservoir d'eau ou du couvercle. En cas de doute, débranchez le système TrueSTEAM de même que l'équipement CVCA avant d'effectuer les travaux de réparation.

- ⚠ MISE EN GARDE :** Matériel lourd et risque de dégâts d'eau.  
Une installation incorrecte ou une mauvaise utilisation peuvent causer la mort, la cécité, des dégâts d'eau domestiques et des défaillances de l'élément chauffant. Assurez-vous de connaître la procédure de mise à l'arrêt du système TrueSTEAM et de vidange sécuritaire du réservoir d'eau.

- ⚠ MISE EN GARDE :** Risque de condensation de vapeur, d'incendie et de gel de l'eau.

.....Peut causer la défaillance du ventilateur ou du limiteur; de même que des dégâts d'eau domestiques.....

# Bienvenue!

Nous vous félicitons d'avoir fait l'acquisition de ce nouvel humidificateur.

Le système d'humidification TrueSTEAM de Honeywell procure les mêmes avantages de haut rendement et d'efficacité que la vapeur, mais sans nécessiter autant d'entretien que les humidificateurs classiques.

Nous sommes confiants que le système TrueSTEAM sera un ajout apprécié dans votre domicile.

- **En quoi le système TrueSTEAM est-il différent des autres humidificateurs?**

- La vapeur passe directement dans votre gaine d'alimentation en air chaud, plutôt que sur un tampon mouillé qui nécessite une production de chaleur efficace de la fournaise afin de produire de l'humidité.
- Le système TrueSTEAM produit de l'humidité sans le concours de votre fournaise. Cela vous permet d'obtenir des taux d'hygrométries idéaux pour votre domicile, tout au long de l'année.
- Le système TrueSTEAM utilise moins d'eau que les humidificateurs à passage direct.
- Le système TrueSTEAM fonctionne automatiquement, comme un thermostat, de manière à maintenir votre domicile au taux hygrométrique souhaité.
- Le système TrueSTEAM est facile à entretenir. Il vous suffit de nettoyer le réservoir de la manière indiquée. Le réservoir est facile d'accès et sa dépose ne requiert aucun outil.

- **Quels sont les dispositifs de sécurité du système TrueSTEAM?**

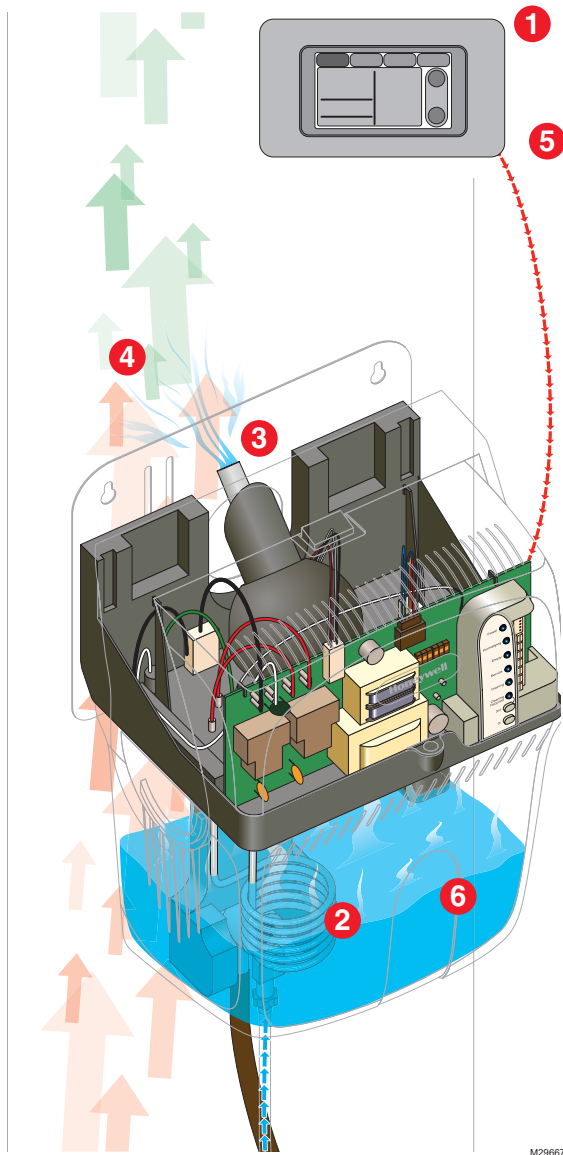
- Un interrupteur de mise sous sécurité, situé à l'intérieur du réservoir, coupe l'alimentation en tension de 120 V c.a. au système TrueSTEAM lorsque le réservoir est déposé.
- Trois jeux de détecteurs surveillent constamment le niveau de l'eau dans le réservoir. Les détecteurs évitent un remplissage excessif ou un chauffage à sec du réservoir.

- **Par quoi dois-je commencer?** Votre système TrueSTEAM doit être installé par un installateur professionnel en chauffage, en ventilation et en climatisation. Si le système TrueSTEAM vient tout juste d'être installé, il devrait fonctionner et humidifier votre domicile ou être en attente d'une demande de production d'humidité du régulateur d'humidité fourni.

Une fois que le système TrueSTEAM fonctionne, votre seule tâche consiste à régler le régulateur d'humidité au réglage d'humidité qui vous convient.

- Veuillez lire ce guide dans son intégralité pour découvrir des astuces qui vous permettront d'utiliser le système TrueSTEAM au meilleur de ses capacités.
- Veuillez lire le guide de régulateur de l'humidité et assurez-vous de savoir comment faire fonctionner le système.
- Pour toute question que vous aimeriez poser maintenant ou plus tard, adressez-vous à votre installateur ou téléphonez aux Services à la clientèle de Honeywell au 1-800-468-1502.

## Comment fonctionne le système TrueSTEAM?



1. Une demande de production en humidité est acheminée par le régulateur d'humidité fourni avec le système TrueSTEAM. Le régulateur d'humidité est branché au système TrueSTEAM, au moyen d'une connexion filaire ou sans fil.
2. La bobine de l'élément chauffant chauffe l'eau dans le réservoir jusqu'à ce qu'elle atteigne le point d'ébullition.
3. La vapeur qui en résulte circule hors du système TrueSTEAM par l'intermédiaire de la gaine d'alimentation en air chaud de votre système CVCA. Si un montage à distance est utilisé, la vapeur circule par un tuyau à vapeur isolé du système TrueSTEAM vers votre gaine d'alimentation.
4. L'air circulant de ventilateur de la fournaise peut transporter l'humidité dans votre domicile. Il est possible que votre fournaise chauffe l'air. Cela dépend du réglage de votre thermostat et de la configuration du système TrueSTEAM.
5. Si l'humidité dans votre domicile atteint le point de consigne, la demande de production d'humidité s'interrompt et le TrueSTEAM cesse de produire de la vapeur. Le ventilateur de fournaise peut continuer à fonctionner jusqu'à ce que l'humidité dans la gaine soit complètement distribuée dans votre domicile.
6. Les détecteurs surveillent le niveau d'eau dans le réservoir. L'électrovanne intégrée s'ouvre et se ferme automatiquement pour remplir le réservoir, au besoin. Durant de longues périodes d'inactivité, le réservoir se videra complètement pour empêcher la stagnation de l'eau. Le réservoir se remplit de nouveau de manière automatique lorsqu'une demande en humidité est faite.



# Quel modèle de système TrueSTEAM ai-je en ma possession?

Le système TrueSTEAM est offert en trois formats, chacun procurant une capacité d'humidification différente :

- HM506 Le modèle HM506 fournit jusqu'à 6 gallons par jour dans votre domicile. Il convient généralement à des domiciles dont le volume varie entre 4 000 et 14 400 pi<sup>3</sup>.
- HM509 Le modèle HM509 fournit jusqu'à 9 gallons par jour dans votre domicile. Il convient généralement à des domiciles dont le volume varie entre 8 000 et 18 400 pi<sup>3</sup>.
- HM512 Le modèle HM512 fournit jusqu'à 12 gallons d'eau chaque jour dans votre domicile. Ce modèle convient généralement aux domiciles dont le volume varie entre 12 000 et 24 000 pi<sup>3</sup>.

Le choix du modèle adéquat pour votre domicile dépend de plusieurs facteurs. Des éléments comme le volume à humidifier, la hauteur des plafonds, le type de fenêtre et de matériaux d'isolation de même que la région géographique ont tous une incidence sur les besoins en humidité de votre domicile.

Certaines activités se déroulant dans votre domicile peuvent augmenter la charge du système TrueSTEAM. Des foyers ventilés, de fortes aspirations générées par des ventilateurs ou des sècheuses peuvent réduire l'humidité du domicile ce qui aura pour conséquence d'accroître l'utilisation du système TrueSTEAM.

Votre installateur professionnel ou votre vendeur ont pris ces facteurs en compte avant de vous proposer le modèle TrueSTEAM convenant le mieux à votre environnement.



Cette étiquette fait mention du numéro de modèle et du code date de fabrication de votre système TrueSTEAM.

# Quel régulateur d'humidité ai-je?

Le système TrueSTEAM est équipé d'un régulateur d'humidité. L'appareil peut être de type inclus dans votre thermostat domestique (RedLINK Prestige ou VisionPRO IAQ) ou il peut s'agir d'un appareil autonome (TrueIAQ ou H8908). Vous utiliserez le régulateur d'humidité pour régler le taux hygrométrique de votre domicile et pour mettre le système TrueSTEAM en fonction et hors fonction.

VOTRE NOUVEAU  
SYSTÈME TrueSTEAM



## RedLINK Prestige™ Couleur haute définition

- Équipement de régulation évolué de la qualité de l'air
- Régule automatiquement la température, le système TrueSTEAM et d'autres équipements de régulation de la qualité de l'air
- Indique l'humidité réelle et désirée sur un écran numérique intuitif
- Détecteur sans fil pour l'affichage de la température et de l'humidité extérieures
- Rappels d'entretien et de réparation



## VisionPRO™ IAQ

- Régule automatiquement la température, le système TrueSTEAM et d'autres équipements de régulation de la qualité de l'air
- Détecteur pour l'affichage de la température extérieure
- Programmation facile pour une période de 7 jours sur un écran numérique intuitif
- Rappels d'entretien et de réparation



## TrueIAQ™

- Régule automatiquement l'équipement de régulation de la qualité de l'air
- Détecteur pour l'affichage de la température et de l'humidité extérieures
- Affiche l'activité réelle et le réglage désiré
- Rappels d'entretien et de réparation

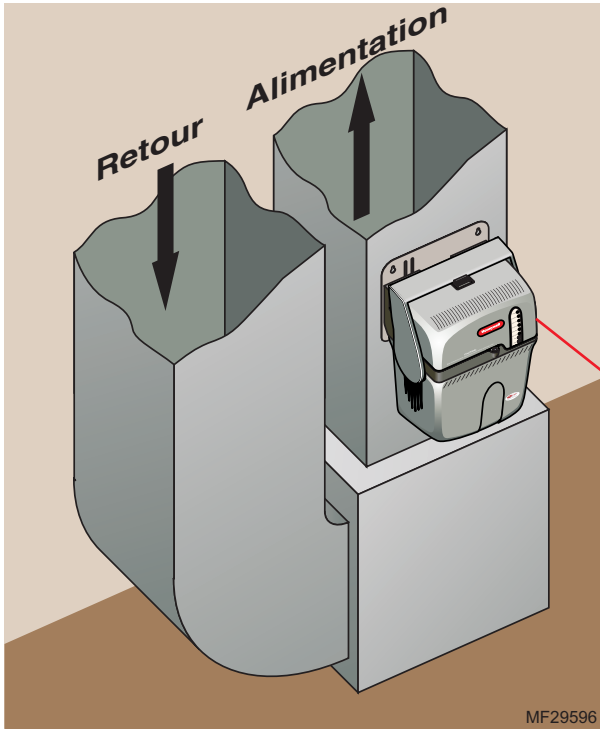


## Régulateur manuel H8908

- Régulateur d'humidité manuel doté de réglages de confort intuitifs
- Tableau d'humidité intégrée pour une régulation précise dans des conditions changeantes

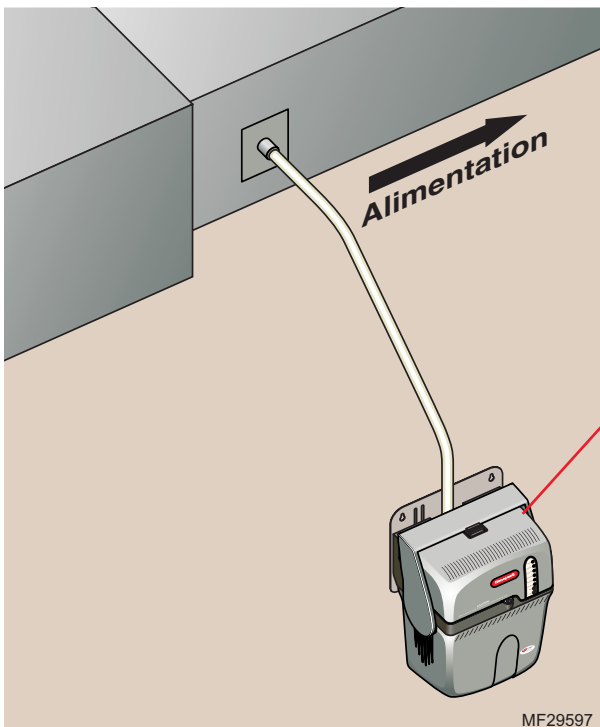
## Comment mon système TrueSTEAM est-il installé?

Votre installateur professionnel CVCA installera le système TrueSTEAM dans un emplacement adéquat de votre domicile. Le meilleur emplacement dépend du type et de la configuration de votre fournaise, et de la disposition de votre surface habitable autour des gaines de fournaise. Votre système TrueSTEAM sera soit monté en gaine ou à distance.



MF29596

**Montage en gaine.** Le système TrueSTEAM est directement installé sur la gaine d'alimentation en air (chaud) de votre fournaise. La buse de vapeur répand directement la vapeur du système TrueSTEAM dans la gaine pour qu'elle soit distribuée dans la maison.



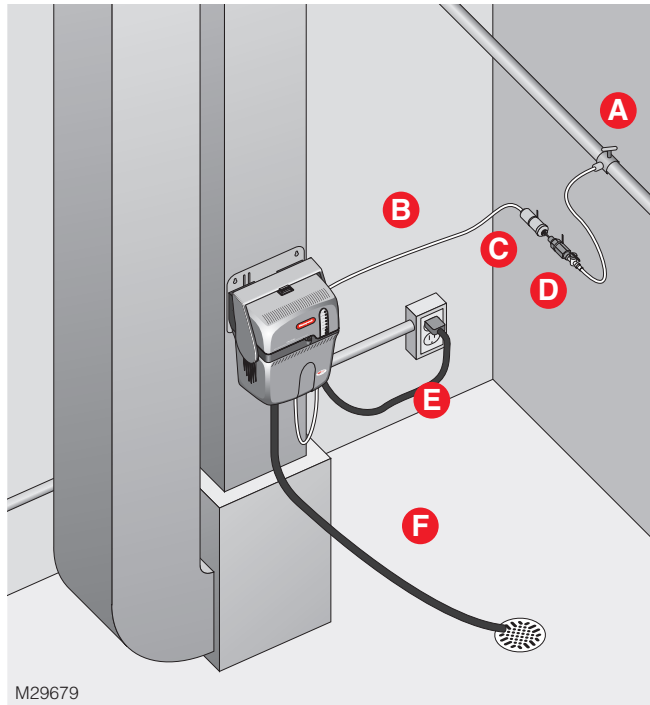
MF29597

**Montage à distance.** Le système TrueSTEAM est installé à une certaine distance de la gaine d'alimentation de votre fournaise. Un tuyau isolé transporte la vapeur du système TrueSTEAM vers un emplacement approprié dans la gaine d'alimentation.

Le montage à distance est une méthode habituellement utilisée lorsqu'il est impossible de trouver un emplacement de montage adéquat sur la gaine de fournaise.

# Quelles sont les pièces du système TrueSTEAM qu'il importe de connaître?

L'installation du système TrueSTEAM inclut les pièces et les composants suivants que vous devriez connaître :



## A. Un raccord d'eau froide doté d'une vanne d'arrêt

Permet de raccorder le système TrueSTEAM à la canalisation d'alimentation en eau froide de votre domicile. Votre installateur professionnel peut avoir utilisé la vanne à étrier fournie avec le système TrueSTEAM, ou peut avoir choisi un autre type de raccord. Ce raccord doit inclure une vanne d'arrêt pour vous permettre de couper le débit d'eau au système TrueSTEAM, au besoin.

**IMPORTANT :** Le système TrueSTEAM utilise seulement de l'eau froide. Il ne faut jamais raccorder une source d'alimentation en eau chaude au système TrueSTEAM.

## B. Canalisation d'alimentation en eau

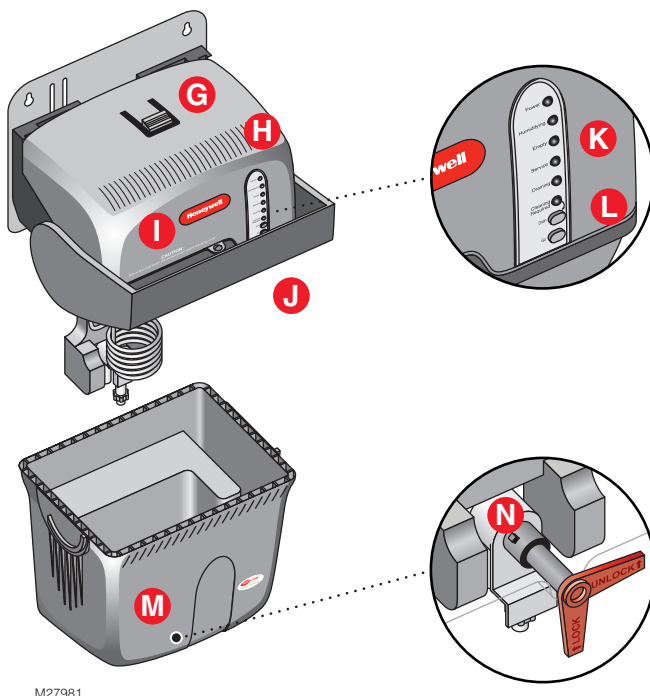
La canalisation de ¼ po alimente le système TrueSTEAM en eau froide à partir d'une canalisation en eau de votre domicile. Votre installateur professionnel peut avoir utilisé la canalisation de plastique fournie ou un tuyau de cuivre, comme il convient.

## C. Filtre à eau en ligne

IL'installateur a très probablement utilisé un filtre à eau sur la canalisation d'alimentation en eau menant au système TrueSTEAM. Cette précaution permet de réduire les dépôts de minéraux dans le réservoir du système TrueSTEAM. Pour un rendement optimal, remplacez le filtre à eau une fois par saison d'humidification. Consultez la rubrique « Comment dois-je procéder pour remplacer le filtre à eau? » de la page 19.

## D. Vanne d'arrêt et dispositif anti-refoulement

Cette vanne fournie par Honeywell est exigée en vertu des codes. Elle empêche l'eau de retourner dans la canalisation d'alimentation en eau.



### E. Cordon d'alimentation

Le système TrueSTEAM est branché dans une prise de courant domestique de 120 volts c.a. Le cordon d'alimentation fourni mesure 1,8 m (6 pieds).

### F. Canalisation d'alimentation en eau

Le tuyau de ½ pouce évacue l'eau du système TrueSTEAM dans un drain de votre domicile.

Le réservoir se vide automatiquement lorsque le système TrueSTEAM effectue un cycle de vidange automatique et à la fin d'une saison d'humidification. Vous pouvez également vidanger manuellement le réservoir pour le nettoyer ou effectuer d'autres entretiens.

### G. Bouton de dégagement de sûreté

Ce bouton empêche le levier de déclenchement du réservoir de se déplacer inopinément vers l'avant et de libérer le réservoir d'eau. Appuyez sur le bouton et maintenez-le enfoncé pour déplacer le levier vers l'avant.

### H. Orifices de ventilation

Ces orifices procurent une circulation d'air nécessaire aux composants électroniques à l'intérieur du couvercle TrueSTEAM. Un entretien normal exige que ces orifices soient gardés propres.

### I. Couvercle du système TrueSTEAM

Les connexions et composants électroniques du système TrueSTREAM sont situés sous le couvercle. Ces pièces ne peuvent pas être remplacées par le propriétaire. Seul un technicien en entretien et réparation des systèmes de chauffage, de climatisation et de ventilation qualifié peut déposer le couvercle.

### J. Levier de dégagement du réservoir

Ce levier verrouille le réservoir d'eau en place sur le système TrueSTEAM. Poussez le bouton de dégagement de sûreté et tirez le verrou vers l'avant pour libérer le réservoir d'eau lors du nettoyage ou de l'entretien.

**IMPORTANT :** Attendez que le réservoir soit complètement vide avant de déposer le réservoir. Consultez la rubrique « *Comment dois-je procéder pour nettoyer le réservoir?* » de la page 16.

### K. Affichage lumineux

Les six voyants s'allument ou clignotent pour indiquer l'état fonctionnel du système TrueSTEAM et la nécessité de procéder à une réparation. Consultez la rubrique « *Que m'indique les voyants?* » de la page 13.

### L. Boutons du système TrueSTEAM

Les deux boutons sont les seules commandes situées sur le système TrueSTEAM. Ils sont rarement utilisés par le propriétaire. (N'oubliez pas que le fonctionnement quotidien repose sur l'utilisation de votre régulateur d'humidité.) Utilisez le bouton de vidange pour vider manuellement le réservoir d'eau. Utilisez le bouton Go (Aller) pour réinitialiser le système TrueSTEAM lors du redémarrage du système. Consultez la rubrique « *Quand dois-je enfoncer les boutons Drain (Vidange) et Go (Aller)?* » de la page 14.

### M. Réservoir d'eau

Le réservoir contient l'eau que le système TrueSTEAM chauffe et convertit en vapeur. Le réservoir peut être déposé à des fins de nettoyage.

### N. Vanne d'arrêt manuelle

Tournez cette vanne à la main sur l'une ou l'autre de ces deux positions :

**Verrouillage :** La vanne doit être verrouillée durant le fonctionnement. Elle permet l'alimentation en eau et verrouille l'électrovanne en place. (Le système TrueSTEAM utilise l'électrovanne pour réguler le débit d'eau dans le réservoir.)

**Déverrouillage :** Le fait de tourner la vanne à la position « Déverrouillage » scelle le bas du réservoir et l'alimentation en eau pour éviter des fuites lors de l'exécution de la procédure de nettoyage manuel du réservoir. Cela désengage également l'électrovanne de manière à ce que vous puissiez pousser le solénoïde dans sa base pour libérer le réservoir. Une fois cela fait, vous pouvez tirer le levier de déclenchement du réservoir vers l'avant pour le nettoyer. Consultez la rubrique « *Comment dois-je procéder pour nettoyer le réservoir?* » de la page 16.

## Que dois-je attendre du système TrueSTEAM?

Honeywell veut s'assurer que vous savez à quoi vous attendre de votre humidificateur TrueSTEAM. Assurez-vous d'aborder les points suivants avec votre installateur professionnel :

- **Établissement du point de consigne d'humidité.** Il peut s'écouler jusqu'à une semaine de fonctionnement continu avant que le point de consigne d'humidité ne soit établi. Cela dépend de facteurs comme la température, la superficie de la maison, l'ameublement et l'isolation. Une fois cette opération réalisée, le système TrueSTEAM ne devrait avoir à fonctionner aussi souvent pour maintenir le taux d'humidité.
- **Odeur de plastique ou de caoutchouc.** Lorsque l'humidificateur démarre après l'installation initiale, il est normal que la résidence s'emplisse d'une légère odeur de plastique. Si le tuyau à distance est utilisé, une légère odeur de caoutchouc pourrait également se répandre. Celles-ci disparaîtront dans quelques jours.
- **L'humidité idéale.** Un taux d'humidité relative de 35 % en hiver est considéré idéal par les experts de l'industrie pour assurer le confort intérieur d'un foyer. Vous pouvez ajuster le réglage selon vos préférences ou jusqu'à ce qu'il y ait de la condensation sur les fenêtres. Abaissez le point de consigne si de la condensation se forme.
- **L'unité ne génère pas d'humidité.** Si le système TrueSTEAM ne fonctionne pas, mais que l'humidité est sous le point de consigne désiré, le régulateur d'humidité peut être doté d'un réglage de protection contre le gel. Consultez la rubrique « *Qu'est-ce que le réglage de protection contre le gel?* » de la page 12. Notez que le système TrueSTEAM ne produira pas d'humidité pendant un cycle de vidange automatique.
- **Point de consigne non atteint.** Si l'humidité n'atteint pas le point de consigne, la capacité nominale du système TrueSTEAM utilisé peut être insuffisante pour la superficie du domicile. Cela peut être attribuable à l'isolation, les fenêtres, le climat aride et d'autres facteurs environnementaux. La température extérieure peut être trop basse pour maintenir le niveau d'humidité. Si l'humidité n'est pas atteinte, alors un système TrueSTEAM d'une capacité nominale supérieure doit être utilisé.
- **Ventilation résidentielle.** Une ventilation excessive chasse l'air humide à l'extérieur et le remplace par de l'air sec. Il peut alors être difficile de maintenir le point de consigne d'humidité. Si vous installez un ventilateur, utilisez une solution qui conserve l'humidité. L'utilisation d'un ventilateur récupérateur d'énergie (ERV) est recommandée.
- **Voyant Cleaning Required (Nettoyage requis).** Si le voyant Cleaning Required (Nettoyage requis) s'allume, nettoyez le système TrueSTEAM en suivant les étapes de la section « *Comment dois-je procéder pour nettoyer le réservoir* » de la page 16. Le système TrueSTEAM continue de fonctionner normalement pendant que le voyant Cleaning Required est allumé.
- **Eau dure.** La dureté de l'eau du domicile détermine la fréquence de nettoyage du système TrueSTEAM et du remplacement des filtres à eau.
- **Consommation d'énergie.** L'utilisation de l'humidificateur pourrait causer une légère augmentation de la consommation énergétique globale lors de l'utilisation de l'humidificateur. En revanche, la résidence semblera plus chaude grâce au système TrueSTEAM. Cela vous permettra d'abaisser le réglage de température du thermostat. Chaque degré en moins sur le thermostat peut permettre de réaliser des économies allant jusqu'à 3 % des coûts en chauffage.

## Comment fonctionne le système TrueSTEAM?

Une fois le système TrueSTEAM installé et fonctionnel, le fonctionnement est automatique. Utilisez le régulateur d'humidité fourni pour modifier le point de consigne, ou pour mettre le système TrueSTEAM en fonction et hors fonction.

Votre installateur professionnel a configuré le système TrueSTEAM de manière à ce qu'il produise de la vapeur lorsque les conditions de votre système CVCA l'incitent à le faire. La vapeur peut seulement être produite lorsque le ventilateur du système souffle de l'air par la gaine.

Assurez-vous de lire le guide accompagnant votre régulateur d'humidité. Adressez toute question sur le fonctionnement du système TrueSTEAM à votre installateur professionnel.

- **Comment utiliser le régulateur d'humidité?** Le régulateur fait une demande de production d'humidité lorsque le taux hygrométrique de la résidence est inférieur au point de consigne du régulateur. Certains régulateurs surveillent également les conditions extérieures pour s'assurer que l'humidité intérieure ne crée pas de condensation sur les fenêtres et les murs. Reportez-vous au guide fourni avec le régulateur d'humidité pour obtenir des directives sur le réglage du régulateur. Il y a deux types différents de régulateurs d'humidité :

**Thermostat muni d'un régulateur d'humidité intégré (comme le modèle VisionPRO IAQ ou RedLINK) :**



Cette configuration vous permet de réguler votre fournaise, la climatisation centrale et le système TrueSTEAM, avec un seul appareil.

**Régulateur d'humidité distinct du thermostat (comme le modèle H8908 ou TrueIAQ).**



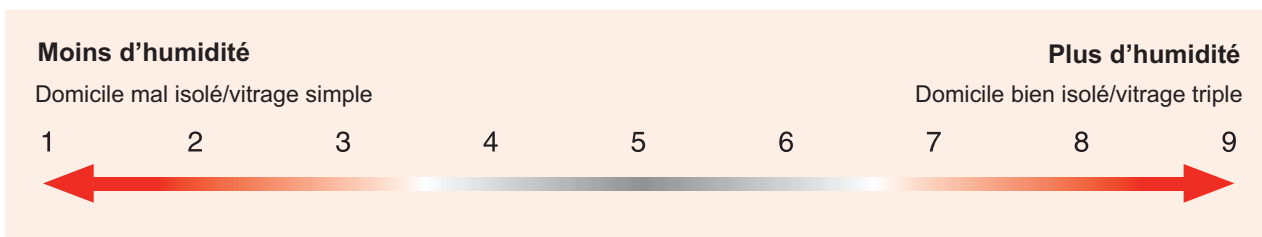
Avec cette configuration, vous utiliserez votre thermostat actuel pour réguler la fournaise et la climatisation centrale. Utilisez un régulateur d'humidité distinct pour réguler votre système TrueSTEAM.

- **Comment établir le point de consigne d'humidité?** La température de l'air extérieur a une incidence sur la quantité d'humidité présente dans l'air de votre domicile. Utilisez ce tableau comme point de départ. Réglez ensuite le régulateur d'humidité selon vos préférences ou jusqu'à ce que de la condensation se forme dans les fenêtres.

Température extérieure	Réglage d'humidité relative recommandé
-29 °C (-20 °F)	15 %
-23 °C (-10 °F)	20 %
-18 °C (0 °F)	25 %
-12 °C (10 °F)	30 %
-7 °C (20 °F)	35 %
>-1 °C (20 °F)	35 %

- **Qu'est-ce que le réglage de protection contre le gel?** Certains régulateurs d'humidité (comme les modèles Prestige, VisionPRO et True IAQ) sont équipés d'une protection contre le gel qui limite la production d'humidité en fonction des conditions extérieures. Le taux d'humidité de votre domicile devrait être moins élevé par temps froid. Le régulateur d'humidité abaisse automatiquement le point de consigne d'humidité en fonction de la température extérieure de manière à empêcher la formation de givre à l'intérieur des fenêtres.

Placez le réglage de protection contre le gel à une position inférieure (d'une valeur) chaque matin où vous apercevez du givre ou de la condensation sur les fenêtres. Attendez 24 heures avant de régler de nouveau le régulateur. Aucun autre ajustement ne sera nécessaire une fois qu'un niveau de confort acceptable sans formation de condensation aura été atteint. Vous réglez le point de consigne d'humidité sans avoir à vous soucier de la condensation.



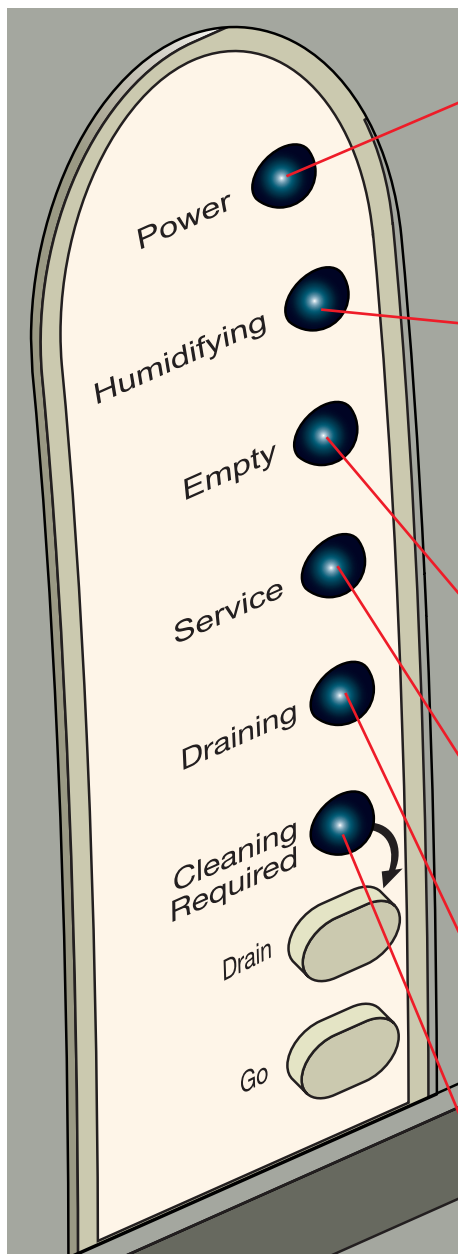
MF27982

Les régulateurs d'humidité manuels (comme le modèle H8909) ne sont pas équipés de réglages de protection contre le gel. L'utilisateur doit régler le point de consigne d'humidité lorsque la température extérieure varie. Utilisez des points de consigne d'humidité plus hauts lorsque la température extérieure est plus chaude, et des points de consigne plus bas lorsqu'elle est plus froide.



# Que m'indiquent les voyants?

Les six voyants indiquent l'état du système TrueSTEAM de même que la nécessité de procéder à des réparations.



M29628

**Alimentation (vert)** allumé indique que le cordon d'alimentation est branché.

## En cours d'humidification (vert)

**Allumé** – Le système TrueSTEAM est en train de chauffer l'eau et de produire de la vapeur.

**Clignotement** – Le système TrueSTEAM est en cours de réinitialisation ou de remplissage. Cela se produit habituellement lors du branchement du cordon d'alimentation et dure environ 3 minutes. Vous pouvez appuyer sur le bouton Go (Aller) pour lancer immédiatement la réinitialisation du système TrueSTEAM.

**Foncé** – Le système TrueSTEAM est prêt à être utilisé – il peut chauffer l'eau et produire de la vapeur lorsqu'une demande de production d'humidité lui parvient du régulateur.

**Empty (Vide) (vert)** Lorsque ce voyant est allumé, le réservoir d'eau est vide et peut être déposé à des fins de nettoyage manuel.

## Service (Réparation) (rouge)

**Clignotement** – Le nombre de clignotements (1–18) indique le type de défaillance détectée par le système TrueSTEAM. Consultez la rubrique « *Que dois-je faire si le voyant Service (Réparation) clignote?* » de la page 22.

## Draining (Vidange) (jaune)

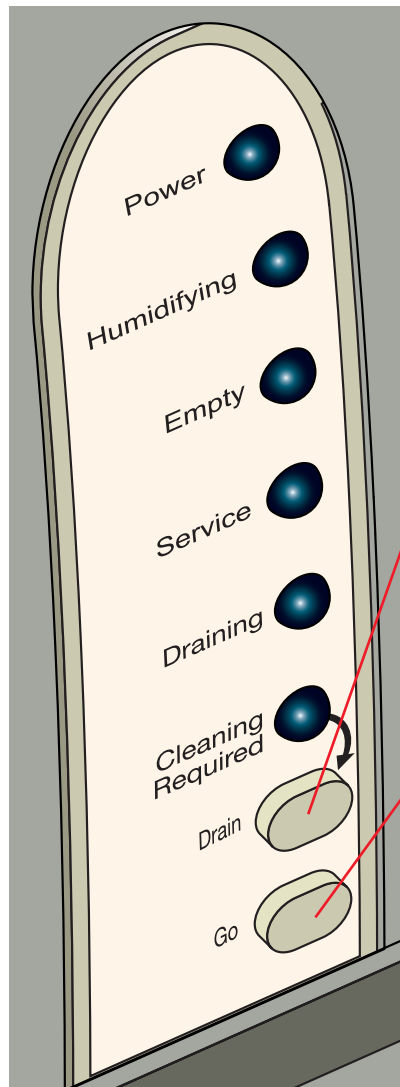
**Clignotement** – Le système TrueSTEAM vidange l'eau du réservoir pour permettre un nettoyage manuel. Consultez la rubrique « *En quoi consiste le cycle de vidange automatique?* » de la page 15.

## Cleaning Required (Nettoyage requis) (jaune)

**Allumé** – Indique que le réservoir doit être nettoyé manuellement. Consultez la rubrique « *Comment dois-je procéder pour nettoyer le réservoir?* » de la page 16.

# Quand dois-je enfoncer les boutons Drain (Vidange) et Go (Aller)?

Les deux boutons sont utilisés pour mettre le système TrueSTEAM en route et pour vidanger manuellement le réservoir.



M29628

**Bouton Drain (Vidange) :** Appuyez sur le bouton Drain (Vidange) pour vider l'eau du réservoir du système TrueSTEAM. Consultez la rubrique « *Comment dois-je procéder pour nettoyer le réservoir?* » de la page 16.

Le système TrueSTEAM en train de vider l'eau présente dans le réservoir durant une vidange manuelle si le voyant Draining (Vidange) clignote.

**Bouton Go (Aller) :** Appuyez sur ce bouton pour démarrer ou réinitialiser le système TrueSTEAM lorsque le voyant Humidifying (Humidification) clignote.

Le fait d'appuyer sur le bouton Go (Aller) et de le maintenir enfoncé permet d'interrompre le clignotement du voyant Service (Réparation) et la vidange du réservoir.

**Boutons Drain (Vidange) et Go (Aller) :** Si vous appuyez simultanément sur les boutons Drain (Vidange) et Go (Aller), le cycle de refroidissement de l'eau s'interrompt et la vidange du réservoir s'effectuera.

**IMPORTANT :** Si vous appuyez simultanément sur les boutons Drain (Vidange) et Go (Aller) — lorsque le voyant Draining (Vidange) est déjà allumé — le système TrueSTEAM videra le réservoir, peu importe la température de l'eau. Assurez-vous que la sortie de drain peut résister à des températures de 100 °C (212 °F), ou attendez au moins 45 minutes pour laisser l'eau refroidir avant d'utiliser cette fonction.

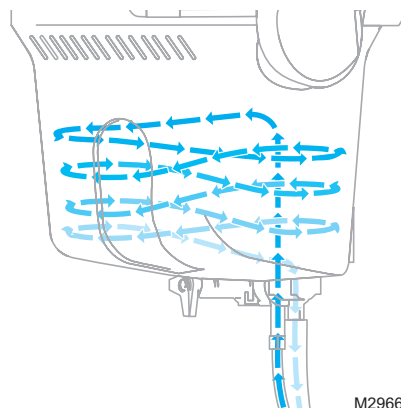


## MISE EN GARDE : Risque d'ébouillement.

La température initiale de l'eau du drain peut dépasser 60 °C (140 °F) et causer des blessures par ébouillement. Assurez-vous que la sortie du drain n'est pas à découvert, et usez de prudence lors de l'enfoncement du bouton Drain (Vidange).

## En quoi consiste le cycle de vidange automatique?

Le système TrueSTEAM vidange automatiquement le réservoir pendant toute la saison d'humidification. Lors du cycle de vidange automatique, l'eau froide pénètre dans le réservoir pendant que l'eau est expulsée dans la canalisation de vidange. L'action du remplissage et de la vidange simultanés refroidit l'eau jusqu'à ce sa température atteigne un niveau sécuritaire. Elle dilue également la concentration des ions calcium et magnésium (responsables de la dureté de l'eau) ce qui réduit les dépôts de minéraux présents dans le réservoir.



À la fin du cycle de vidange automatique, le système TrueSTEAM remplit le réservoir d'eau fraîche et retourne automatiquement au fonctionnement normal.

La vidange automatique s'effectue sur une base régulière, en fonction du nombre de chauffage de l'eau et de production de vapeur par le système TrueSTEAM. La vidange automatique peut être programmée de manière à s'effectuer selon la périodicité suivante :

### Intervalles de vidange automatique

- 8 heures (recommandé pour l'eau dure)
- 12 heures (réglage d'usine)
- 20 heures (lorsqu'un adoucisseur d'eau est installé)
- 30 heures (lorsqu'un filtre OI est utilisé)

Votre installateur professionnel a réglé le système TrueSTEAM de manière à ce que la vidange s'effectue selon une périodicité qui répond aux besoins de votre installation. Si désiré, il est possible de changer la périodicité de la vidange automatique lors d'un appel de service.



### MISE EN GARDE : Risque d'ébouillement.

La température initiale de l'eau du drain peut dépasser 60 °C (140 °F) et causer des blessures par ébouillement. Assurez-vous que la sortie du drain n'est pas à découvert, et usez de prudence lors de l'enfoncement du bouton Drain (Vidange).

## Pourquoi dois-je nettoyer manuellement le réservoir?

Un nettoyage manuel est requis au moins une fois par saison pour débarrasser le réservoir des dépôts minéraux qui subsistent après la vidange automatique. Il est facile de nettoyer le réservoir. Il suffit de le vider, de le démonter et de nettoyer les composants intérieurs. Après la remise en place du réservoir, le système TrueSTEAM est prêt à fonctionner de nouveau.

- **Quand dois-je nettoyer le réservoir?** Le système TrueSTEAM doit être nettoyé manuellement au moins une fois tous les 5 mois. (Il pourra être nécessaire de nettoyer plus fréquemment l'appareil en présence d'eau dure.) Le voyant Cleaning Required (Nettoyage requis) s'allume lorsqu'il est nécessaire de procéder à un nettoyage manuel du réservoir. Le système TrueSTEAM continuera de fonctionner normalement même si le voyant est allumé. Le voyant s'éteindra après le nettoyage du réservoir et le redémarrage du système TrueSTEAM.

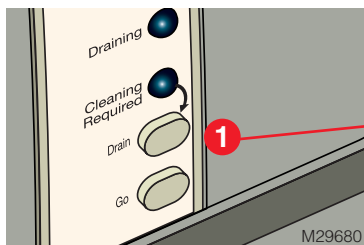
Remarque :Le voyant Cleaning Required (Nettoyage requis) s'allume si la vidange du réservoir s'effectue trop lentement durant un cycle de vidange manuel. (Cette situation est probablement attribuable à la présence de sédiments dans le réservoir.) Le système TrueSTEAM continuera de fonctionner normalement. Si durant un cycle de vidange manuel, le réservoir se vide normalement, le voyant Cleaning Required (Nettoyage requis) cessera de clignoter.



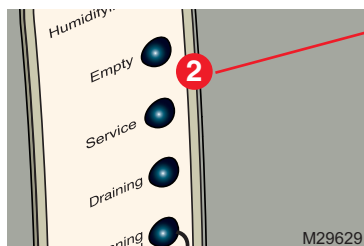
### MISE EN GARDE : Risque d'ébouillamment.

La température initiale de l'eau du drain peut dépasser 60 °C (140 °F) et causer des blessures par ébullition. Assurez-vous que la sortie du drain n'est pas à découvert, et usez de prudence lors de l'enfoncement du bouton Drain (Vidange).

- **Comment dois-je procéder pour nettoyer le réservoir?** Suivez les étapes suivantes pour nettoyer le système TrueSTEAM :

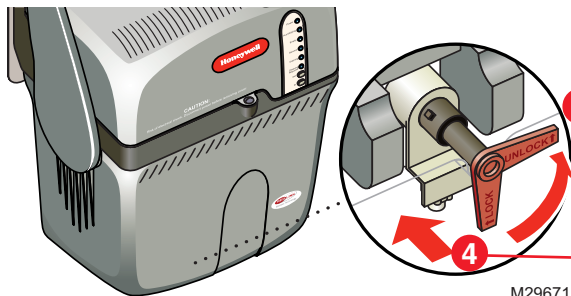


Appuyez sur le bouton Drain (Vidange) pour lancer un cycle de vidange et vider le réservoir d'eau. Le réservoir se vide si le voyant Draining (Vidange) clignote.



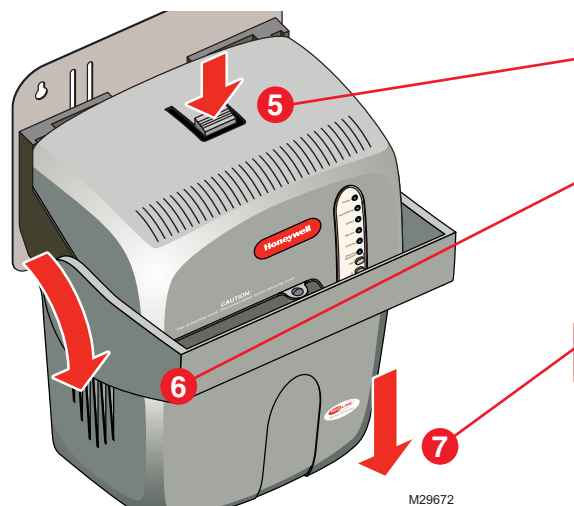
Attendez que le voyant Empty (Vide) s'allume. (Le réservoir met environ 45 minutes à se vider.) Cela indique que l'eau a complètement été évacuée.

**IMPORTANT :** Vous pouvez interrompre une vidange manuelle une fois que le cycle a débuté en appuyant sur le bouton Drain (vidange) et en le maintenant enfoncé pendant que le voyant Draining (Vidange) clignote. Le réservoir se remplira de nouveau et le système TrueSTEAM reprendra son fonctionnement normal dans plus ou moins 5 minutes.



Tournez la vanne d'arrêt manuelle au bas du réservoir à la position « Unlock » (Déverrouiller).

Saisissez le bras de la vanne d'eau blanche, puis poussez-le vers l'arrière pour le désengager du réservoir.

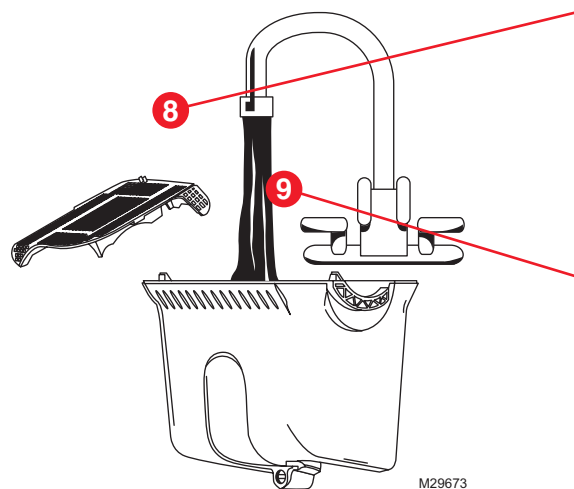


Commencez par saisir fermement le fond du réservoir. Appuyez ensuite sur le bouton de dégagement de sûreté.

Tirez le verrou vers l'avant pour libérer le réservoir.

Remarque : Le verrou reste fixé au système TrueSTEAM et n'est pas déposé en même temps que le réservoir.

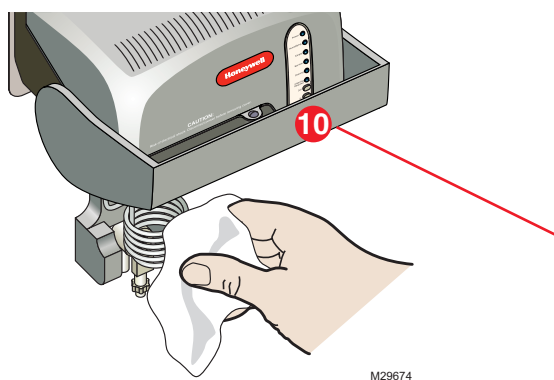
Déposez le réservoir.



Déposez la crépine à sédiments du bas du réservoir.

Utilisez de l'eau du robinet pour retirer les minéraux libres du réservoir et de la crépine du réservoir :

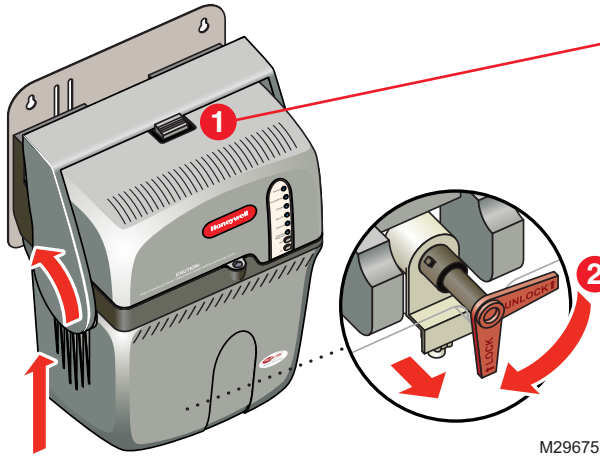
- Pour un nettoyage plus approfondi, faites tremper le réservoir dans de l'eau tiède. Puis rincez à l'eau claire. Le réservoir peut être lavé au lave-vaisselle.
- Honeywell recommande d'utiliser des nettoyants comme CLR® ou LimeAway®, ou du vinaigre blanc pour le nettoyage. N'utilisez pas de produits nettoyants à base d'hydrocarbure ou d'huile.



Débranchez le système TrueSTEAM, puis frottez prudemment les minéraux pour les déloger de l'élément chauffant et des parois du réservoir.

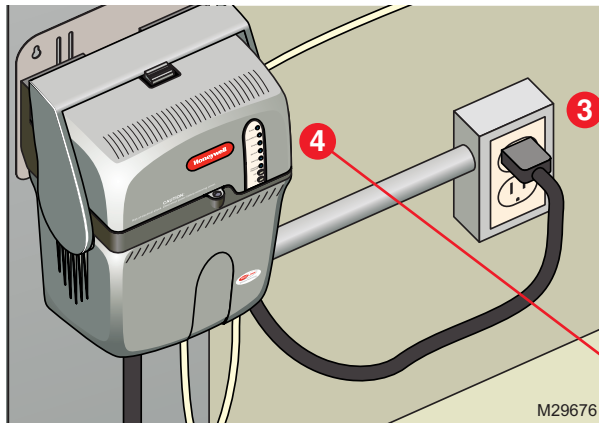
- Des tampons à récurer convenant aux chaudières et casseroles antiadhésifs peuvent être utilisés pour nettoyer les parois et les composants du réservoir du système TrueSTEAM.
- Pour un nettoyage plus approfondi, Honeywell recommande de tremper le réservoir dans de l'eau additionnée de CLR®, de LimeAway®, ou de vinaigre blanc. N'utilisez pas de produits nettoyants à base d'hydrocarbure ou d'huile.

**Comment dois-je procéder pour remonter et démarrer le système TrueSTEAM?** Suivez ces étapes pour remonter le réservoir et démarrer le système TrueSTEAM après le nettoyage :



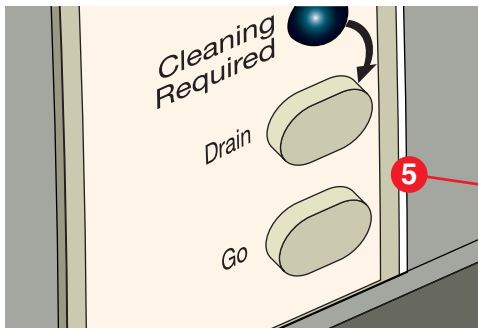
Fixez le réservoir en soulevant le verrou.

Tirez le bras de la vanne d'eau blanche vers l'avant pour l'accoupler à la bobine noire. Tournez ensuite la vanne d'arrêt manuelle à la position « Lock » (Verrouiller).



Branchez le cordon d'alimentation.

Le voyant d'alimentation s'allumera au démarrage. Si le régulateur d'humidité ne fait pas une demande active de production d'humidité, le voyant Humidifying (Humidification) clignotera. Cela indique que le système TrueSTEAM attend la demande d'humidité avant de raccorder complètement le réservoir.

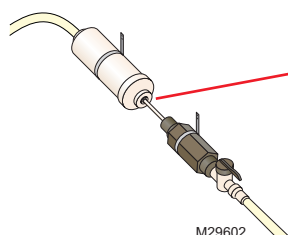


Appuyez sur le bouton Go (Aller) pour amorcer le système TrueSTEAM. Vous devez faire une demande active d'humidité au moyen du régulateur d'humidité pour que le système TrueSTEAM produise de l'humidité.

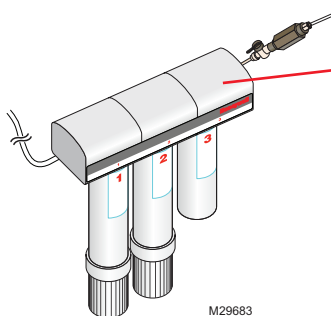
Remarque : Vous n'avez pas à appuyer sur le bouton Go (Aller) après avoir branché le cordon d'alimentation.

## Comment dois-je procéder pour remplacer le filtre à eau?

L'installateur professionnel CVCA a choisi d'installer l'un de ces deux filtres à eau en ligne dans votre système TrueSTEAM. Il a posé ce choix en se basant sur la dureté de l'alimentation en eau de votre domicile. Ces deux filtres doivent être remplacés au moins une fois par saison d'humidification :

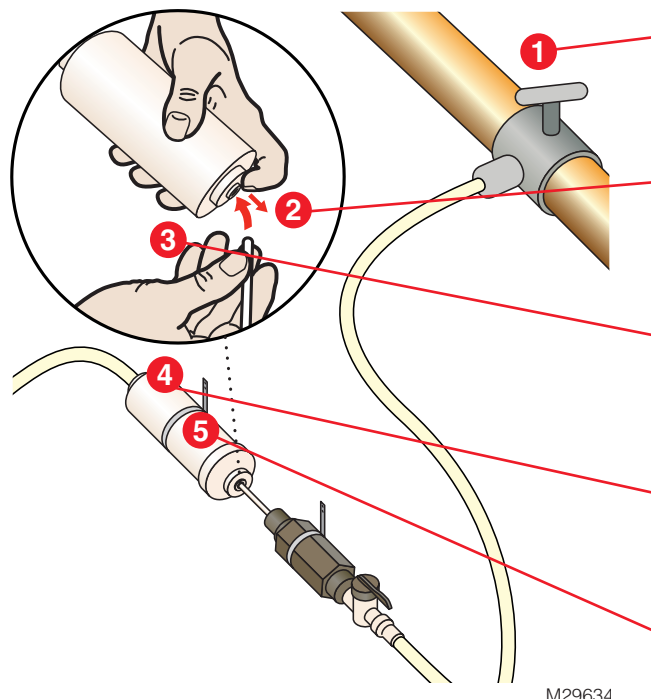


Filtre à eau en polyphosphate avec dispositif anti-refoulement.



Filtre à osmose inversée (OI) avec dispositif anti-refoulement.

- **Remplacement du filtre en polyphosphate en ligne.** Votre installateur professionnel a fixé le filtre à eau et la vanne du dispositif anti-refoulement dans un endroit facile d'accès. Suivez la canalisation d'alimentation en eau du système TrueSTEAM pour trouver le filtre.



1 Coupez l'alimentation en eau à la vanne à étrier ou au raccord en T et à la vanne d'arrêt manuelle.

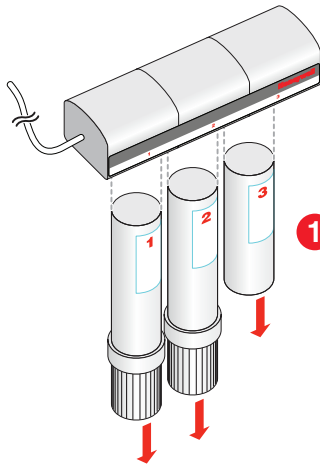
2 Appuyez sur l'anneau de collier de filtre et tirez la canalisation d'eau sur une longueur de 1/4 po de chaque côté du filtre.

3 Introduisez la canalisation de 1/4 po dans un nouveau filtre. Exercez une légère traction pour assurer un ajustement serré.

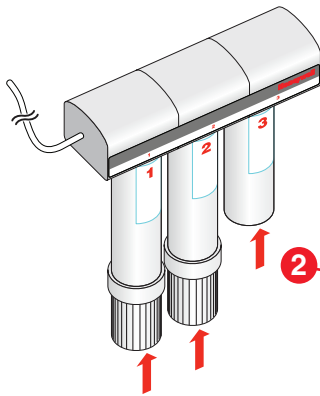
4 Assurez-vous d'installer correctement le nouveau filtre. Les flèches du filtre doivent pointer en direction du système TrueSTEAM.

5 Fixez le nouveau filtre en place à l'aide du support ou d'une courroie fournis par votre installateur.

- **Remplacement des cartouches de filtre à osmose inversée** Si votre installation est dotée d'un filtre à osmose inversé, vous devrez remplacer deux cartouches de filtre à chaque saison d'humidification. Notez que le filtre à osmose inversé dispose de plus de composants que le filtre en ligne et qu'il inclut une canalisation de vidange distincte. Cette option procure une meilleure filtration et empêche l'eau dure de circuler dans votre système TrueSTEAM.



Déposez les filtres n<sup>os</sup> 1, 2 et 3 en respectant cette séquence.



Rebranchez les filtres en respectant la séquence suivante :

- Videz l'eau présente dans le filtre no 3 et rebranchez au système OI. (Ne doit pas être remplacé.)
- Installez un filtre n<sup>o</sup> 2 neuf.
- Installez un filtre n<sup>o</sup> 1 neuf.

M29663



## Que dois-je faire à la fin de la saison?

Le système TrueSTEAM cesse automatiquement de fonctionner lorsqu'il n'est pas nécessaire de produire de l'humidité pendant une période prolongée. Après plusieurs jours d'inactivité, le réservoir d'eau se videra et restera vide jusqu'à la prochaine demande de production d'humidité. Cela empêche la stagnation d'eau dans le réservoir. Le système TrueSTEAM remplira de nouveau le réservoir d'eau et se réinitialisera lorsque le régulateur fera une demande de production d'humidité.

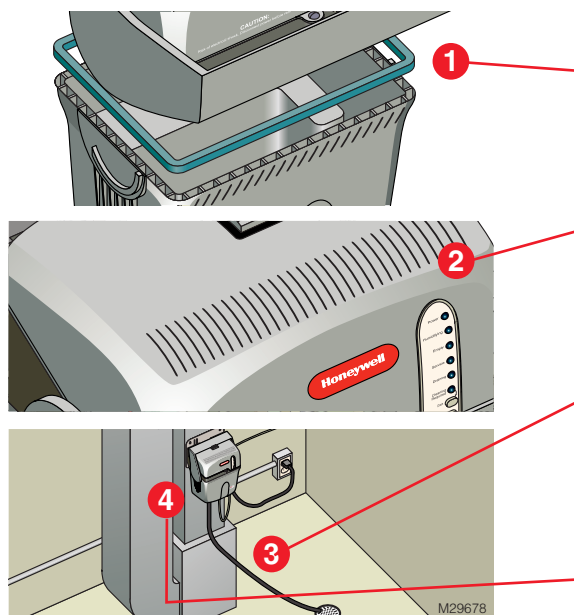
Suivez ces étapes d'entretien à la fin de la période de chauffe. Cette précaution assurera un fonctionnement optimal de votre système TrueSTEAM :



### AVERTISSEMENT! Risque d'électrocution.

Durant le nettoyage, le système TrueSTEAM doit être débranché avant la dépose du couvercle pour éviter que la tension de 120 V c.a. ne soit présente dans la bobine ou d'autres composants du réservoir.

Nettoyez le réservoir en suivant la procédure décrite dans la rubrique « Comment dois-je procéder pour nettoyer le réservoir? » des pages 15 à 18. Le nettoyage du réservoir en fin de saison assure un bon fonctionnement du système TrueSTEAM lors d'une prochaine utilisation visant à répondre à des besoins d'humidification à l'intérieur de votre domicile.



1 Inspectez le joint du réservoir d'eau. Si le joint est fendu ou fissuré, il doit être remplacé avant de le replacer sur le réservoir d'eau.

2 Nettoyez les orifices de ventilation du couvercle du système TrueSTEAM.

3 Nettoyez le tube de vidange d'eau raccordé à l'électrovanne. Débranchez le tuyau et assurez-vous de l'absence de blocage, puis faites circuler de l'eau chaude du robinet dans le tuyau.

4 Assurez-vous que le système TrueSTEAM est toujours de niveau.

- **Que dois-je faire lorsque je pars en vacances?** Même si le réservoir d'eau du système TrueSTEAM se vide automatiquement après plusieurs jours, Honeywell recommande de couper l'alimentation en eau au système TrueSTEAM et de désactiver le régulateur d'humidité lors d'absences prolongées. Au retour, rouvrez l'alimentation en eau et réinitialisez le régulateur au point de consigne désiré.

## Que dois-je faire si le voyant Service (Réparation) clignote?

Le voyant rouge Service (Réparation) clignote lorsque le dispositif interne détecte une anomalie dans le système TrueSTEAM. Suivez ces étapes pour essayer de corriger le problème :

1. Appuyez sur le bouton Go (Allez) et maintenez-le enfoncé pour effacer l'anomalie. Si le système TrueSTEAM est en mesure de se réinitialiser, le voyant Service (Réparation) cessera de clignoter et le système TrueSTEAM fonctionnera normalement. Aucune autre action n'est requise.
2. Si la défaillance persiste, débranchez le cordon d'alimentation du système TrueSTEAM et rebranchez-le dans la prise de courant.
3. Si la défaillance survient de nouveau, attendez 24 heures avant de téléphoner à un installateur professionnel en chauffage, en ventilation et en climatisation. Le TrueSTEAM est en mesure de régler lui-même certaines défaillances.

## Que dois-je faire si le système TrueSTEAM ne fonctionne plus normalement?

Si vous éprouvez des difficultés avec votre système TrueSTEAM, nous vous proposons d'essayer les solutions suivantes. La plupart des problèmes peuvent être réglés rapidement et facilement.

Problème	Symptômes ou Causes	Étapes de réparation (effectuées seulement par le technicien CVCA professionnel)
Basse humidité	Le système TrueSTEAM ne produit pas de vapeur.	<ol style="list-style-type: none"><li>1. Confirmez que le voyant d'alimentation est allumé.</li><li>2. Ajustez le régulateur D'humidité et/ou le réglage de protection contre le gel. Consultez la rubrique « <i>Comment dois-je utiliser le régulateur d'humidité?</i> » de la page 11.</li><li>3. Assurez-vous que la fournaise est alimentée en courant.</li><li>4. Réenclenchez votre disjoncteur ou recherchez un fusible grillé.</li><li>5. Si la défaillance persiste, mettez le régulateur d'humidité hors fonction. Débranchez le système TrueSTEAM, réenclenchez le disjoncteur et appelez un Entrepreneur en chauffage, en ventilation et en climatisation professionnel.</li></ol>
	Changements rapides d'air. Courants d'air (l'air froid et sec constitue une charge additionnelle pour le système TrueSTEAM).	<ol style="list-style-type: none"><li>1. Gardez les portes et les fenêtres fermées.</li><li>2. Fermez le registre du foyer s'il n'est pas utilisé.</li><li>3. Limitez l'utilisation du ventilateur d'échappement.</li><li>4. Étanchez le pourtour des portes et des fenêtres.</li><li>5. Renseignez-vous auprès de votre installateur professionnel sur les solutions de ventilation qui conserve l'humidité à l'intérieur de la résidence (comme un ventilateur à récupération d'énergie).</li></ol>
Humidité élevée	Condensation sur les murs.	<ol style="list-style-type: none"><li>1. Mettez le régulateur d'humidité et/ou le réglage de protection contre le gel hors fonction jusqu'à ce que la condensation soit complètement dissipée.</li><li>2. Une fois la condensation évaporée, placez le point de consigne d'humidité et/ou le réglage de protection contre le gel à un réglage plus bas pour empêcher de la condensation ne se forme de nouveau. Consultez la rubrique « <i>Comment dois-je utiliser le régulateur d'humidité?</i> » de la page 11.</li></ol>
	Forte présence de condensation sur les fenêtres.	<ol style="list-style-type: none"><li>1. Placez le régulateur d'humidité à un réglage plus bas pour éliminer la condensation causée par l'humidité des bains, des nettoyages à la vadrouille, de la cuisson, etc.</li><li>2. Si l'humidité persiste, le domicile doit être mieux ventilé.</li></ol>

## Garantie limitée de 5 ans

Honeywell garantit ce produit contre tout vice de fabrication ou de matière dans la mesure où il en est fait une utilisation et un entretien convenables, et ce, pour cinq (5) ans à partir de la date d'achat par le consommateur. En cas de défectuosité ou de mauvais fonctionnement pendant la période de garantie, Honeywell remplacera ou réparera le produit (au gré de Honeywell).

Si le produit est défectueux,

(i) le retourner, accompagné d'une preuve d'achat indiquant la date d'achat, au détaillant auprès de qui il a été acheté, ou  
(ii) s'adresser aux Services à la clientèle de Honeywell en composant le 1-800-468-1502. Les Services à la clientèle détermineront alors si le produit doit être retourné à l'adresse suivante : Honeywell Return Goods, Dock 4 MN10-3860, 1885 Douglas Dr. N., Golden Valley, MN 55422, ou si un produit de remplacement peut vous être expédié.

La présente garantie ne couvre pas les frais de retrait ou de réinstallation. La présente garantie ne s'appliquera pas s'il est démontré que la défectuosité ou le mauvais fonctionnement est dû à un endommagement du produit alors que le consommateur l'avait en sa possession.

La responsabilité de Honeywell se limite à réparer ou à remplacer le produit conformément aux modalités susmentionnées. HONEYWELL N'EST EN AUCUN CAS RESPONSABLE DES PERTES OU DOMMAGES, Y COMPRIS LES DOMMAGES INDIRECTS OU ACCESSOIRES DÉCOULANT DIRECTEMENT OU INDIRECTEMENT D'UNE VIOLATION QUELCONQUE D'UNE GARANTIE, EXPRESSE OU TACITE, APPLICABLE AU PRÉSENT PRODUIT NI DE TOUTE AUTRE DÉFECTUOSITÉ DU PRÉSENT PRODUIT. Certaines provinces ne permettent pas l'exclusion ou la restriction des dommages indirects et, par conséquent, la présente restriction peut ne pas s'appliquer.

CETTE GARANTIE EST LA SEULE GARANTIE EXPRESSE QUE HONEYWELL OFFRE POUR CE PRODUIT. LA DURÉE DE TOUTE GARANTIE IMPLICITE, INCLUANT LES GARANTIES DE QUALITÉ MARCHANDE OU D'ADAPTATION À UNE UTILISATION PARTICULIÈRE, EST LIMITÉE PAR LES PRÉSENTES À LA PÉRIODE DE CINQ ANS DE LA PRÉSENTE GARANTIE. Certaines provinces ne permettent pas de limiter la durée des garanties tacites et, par conséquent, la présente limitation peut ne pas s'appliquer.

La présente garantie donne au consommateur des droits légaux spécifiques et peut-être certains autres droits qui peuvent varier d'une province à l'autre.

Pour toute question concernant la présente garantie, prière d'écrire aux Services à la clientèle de Honeywell à l'adresse suivante : Honeywell Customer Relations, 1985 Douglas Drive, Golden Valley, MN 55422, ou encore composer le 1-800-468-1502. Au Canada, prière de s'adresser au service des Produits de détail, Honeywell Limited/Honeywell Limitée,

**Solutions de régulation et d'automatisation**

Honeywell International Inc.  
1985 Douglas Drive North  
Golden Valley, MN 55422

Honeywell Limited–Honeywell Limitée  
35 Dynamic Drive  
Toronto, Ontario M1V 4Z9

<http://yourhome.honeywell.com>

© Marque déposée aux É.-U.  
© 2008 Honeywell International Inc.  
69-2286EFS—03 D.T. Rev. 09-09

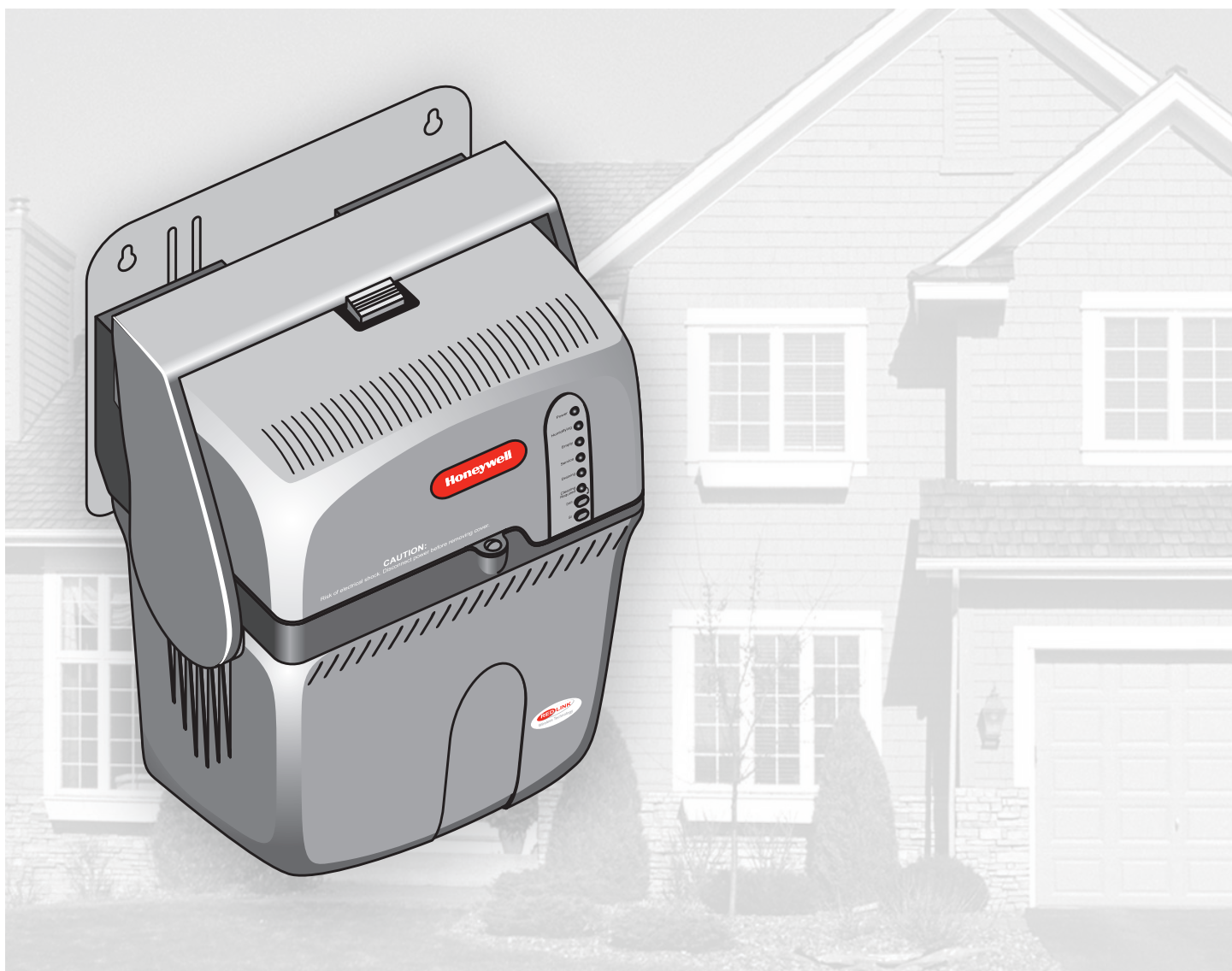


Imprimé aux É.-U. sur du papier recyclé  
contenant au moins 10 % de fibres de  
papier recyclées après consommation.

**Honeywell**

# Manual del propietario TrueSTEAM™

MANUAL DE FUNCIONAMIENTO DEL PROPIETARIO





## PRESENTACIÓN

Definiciones sobre seguridad y precauciones . . . . .	2
Bienvenido . . . . .	3
¿En qué se diferencia TrueSTEAM de otros humidificadores? . . . . .	3
¿Qué características de seguridad posee TrueSTEAM? . . . . .	3
¿Cómo debo comenzar? . . . . .	3
¿Cómo funciona TrueSTEAM? . . . . .	4

## SU NUEVO TrueSTEAM

¿Qué modelo de TrueSTEAM tengo? . . . . .	5
¿Qué control de humedad tengo? . . . . .	6
¿Cómo se instala mi TrueSTEAM? . . . . .	7
Montaje en conducto . . . . .	7
Montaje a distancia . . . . .	7
¿Qué partes de TrueSTEAM debo conocer? . . . . .	8
¿Qué debo esperar de mi TrueSTEAM? . . . . .	10

## FUNCIONAMIENTO DIARIO

¿Cómo utilizo TrueSTEAM? . . . . .	11
¿Cómo utilizo el control de humedad? . . . . .	11
¿Cuál debe ser mi punto de referencia de humedad? . . . . .	12
¿Qué es una configuración de congelamiento? . . . . .	12
¿Qué información me indican las luces? . . . . .	13
¿Cuándo debo presionar los botones Drain (drenar) y Go (comenzar)? . . . . .	14

## LIMPIEZA Y MANTENIMIENTO

¿Qué es el ciclo de descarga automática? . . . . .	15
¿Por qué necesito limpiar manualmente el tanque? . . . . .	16
¿Cuándo debo limpiar el tanque? . . . . .	16
¿Cómo limpio el tanque? . . . . .	16
¿Cómo reensamblo y pongo a funcionar TrueSTEAM? . . . . .	18
¿Cómo cambio el filtro del agua? . . . . .	19
Cambio del filtro de polifosfato en la tubería . . . . .	19
Cambio del filtro tipo cartucho para ósmosis inversa (OI) . . . . .	20
¿Qué debo hacer al finalizar la temporada de humidificación? . . . . .	21
¿Y si me voy de vacaciones? . . . . .	21

## SERVICIO

¿Qué debo hacer si la luz de servicio está destellando? . . . . .	22
¿Qué hacer si tengo problemas con TrueSTEAM? . . . . .	22

## GARANTÍA

Garantía limitada de 5 años . . . . .	23
---------------------------------------	----



¿NECESITA AYUDA? Para obtener ayuda sobre este producto, visite <http://yourhome.honeywell.com>, o llame de manera gratuita al Servicio al cliente de Honeywell al 1-800-468-1502.

Lea y guarde estas instrucciones.

# Definiciones sobre seguridad y precauciones

## Deberá ser instalado por un técnico capacitado y experimentado.

Lea detenidamente estas instrucciones. Si no sigue estas instrucciones, corre el riesgo de dañar el producto o de provocar una situación peligrosa.

Lea este manual en su totalidad. Es importante que comprenda como trabaja TrueSTEAM y cómo efectuar los procedimientos de mantenimiento necesarios. Lea y comprenda todas las etiquetas sobre seguridad que se encuentran en el humidificador TrueSTEAM o están colocadas cerca de él. Estas etiquetas le proporcionan instrucciones adicionales e información importante sobre seguridad.

### Definiciones de seguridad

Estos términos de seguridad identifican información que deberá leer.

**⚠ PRECAUCIÓN:** Indica una situación peligrosa que, si no se evita, podría ocasionar lesiones físicas o daño a la propiedad.

**⚠ ADVERTENCIA:** Indica una situación peligrosa que, si no se evita, podría ocasionar la muerte o lesiones graves.

### Precauciones de seguridad

#### Lea y comprenda los siguientes riesgos a la seguridad antes de instalar, utilizar o trabajar con el humidificador TrueSTEAM:

- No coloque la boquilla de vapor en dirección a las personas.
- El agua que contiene el tanque puede estar muy caliente. Lea la etiqueta de advertencia que se encuentra en TrueSTEAM y asegúrese de comprender los riesgos de quemaduras por el agua caliente que contiene el tanque.
- Peligro de quemaduras por agua caliente proveniente del desagüe. Cuando el tanque de agua se vacía, el agua que drena puede estar lo suficientemente caliente como para causar lesiones. Cerciórese de saber por dónde sale el agua procedente de la manguera de desagüe. Compruebe que el agua caliente no represente riesgo para las personas o las mascotas.

**⚠ ADVERTENCIA:** Riesgo de electrocución.  
TrueSTEAM utiliza 120 voltios AC, los cuales pueden ocasionar la muerte o lesiones graves. Tome precauciones cuando preste servicio a la unidad TrueSTEAM o cuando retire el tanque de agua o la tapa. Si tiene dudas, desenchufe TrueSTEAM y desconecte el equipo HVAC (calefacción, ventilación y aire acondicionado) antes de prestar servicio.

**⚠ PRECAUCIÓN:** Equipo pesado y riesgos relacionados con el agua.  
La instalación o uso inadecuados puede causar muerte, ceguera, daños al hogar ocasionados por el agua y fallas en los elementos de calefacción. Cerciórese de saber cómo apagar TrueSTEAM y cómo vaciar el tanque de agua de forma segura.

**⚠ PRECAUCIÓN:** Riesgos de condensación de vapor, incendio y congelamiento de agua.  
Puede causar falla del ventilador o limitar el control o provocar daños al hogar ocasionados por el agua.



# ¡Bienvenido!

Felicitaciones por su nuevo humidificador.

Su sistema de humidificación TrueSTEAM de Honeywell le brinda el alto rendimiento y eficacia del vapor, con un mantenimiento más fácil que los humidificadores tradicionales.

Estamos seguros de que TrueSTEAM será una grata adquisición para su hogar.

- **¿En qué se diferencia TrueSTEAM de otros humidificadores?**

- El vapor va directamente al conducto de suministro de aire caliente en vez de evaporarse en una almohadilla húmeda, lo cual requiere que la temperatura del sistema de calefacción produzca humedad de manera eficaz.
- TrueSTEAM brinda humedad de forma independiente de su sistema de calefacción. Esto le permite lograr los niveles ideales de humedad en su hogar durante todo el año.
- TrueSTEAM desperdicia menos agua que los humidificadores de paso de flujo.
- TrueSTEAM funciona automáticamente, lo mismo que un termostato, para mantener la humedad de su hogar en el nivel deseado.
- El mantenimiento de TrueSTEAM es fácil de efectuar. Simplemente limpie el tanque como se indica. Es fácil acceder al tanque y no es necesario utilizar herramientas para retirarlo.

- **¿Qué características de seguridad posee TrueSTEAM?**

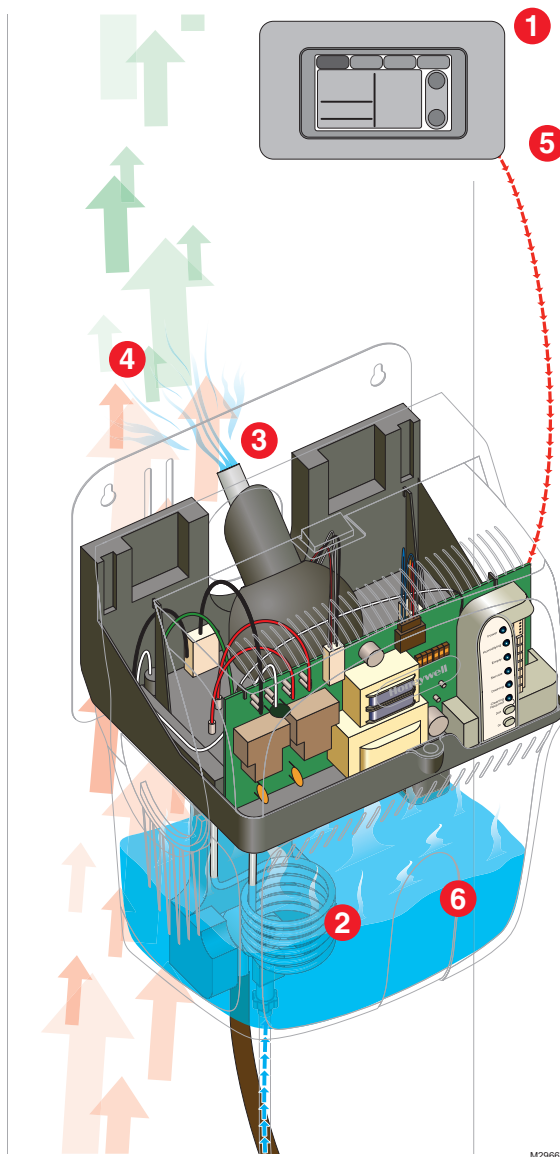
- Un interruptor cortacorriente ubicado dentro del tanque de agua desconecta la electricidad de 120 VAC a TrueSTEAM cuando se retira el tanque.
- Tres juegos de sensores monitorizan constantemente el nivel de agua del tanque. Los sensores evitan que el tanque se llene excesivamente o que funcione en seco.

- **¿Cómo debo comenzar?** Su TrueSTEAM deberá ser instalado por un instalador profesional HVAC (calefacción, ventilación y aire acondicionado). Si TrueSTEAM acaba de instalarse, debe estar funcionando y humidificando su hogar o esperando una demanda de humidificación del control de humedad que se suministra.

Una vez que TrueSTEAM está instalado y funcionando, todo lo que tiene que hacer es utilizar el control de humedad para cambiar la humedad al nivel de confort que le satisfaga.

- Lea este manual en su totalidad para obtener sugerencias sobre cómo sacar el mayor provecho de su TrueSTEAM.
- Lea el manual de control de humedad y cerciórese de saber cómo operar su sistema.
- Si tiene preguntas, ahora o posteriormente, fórmelas a su instalador o llame el servicio al cliente de Honeywell al 1-800-468-1502.

## ¿Cómo funciona TrueSTEAM?



1. La orden de humidificar viene del control de humidificación que se suministra con TrueSTEAM. El control de humedad está conectado a TrueSTEAM, bien mediante cables o por conexión inalámbrica.
2. La resistencia en espiral calienta el agua del tanque hasta el punto de ebullición.
3. El vapor resultante fluye hacia fuera de TrueSTEAM por el conducto de aire caliente de su sistema HVAC (calefacción, ventilación, aire acondicionado). Si se utiliza el montaje a distancia, el vapor fluye a través de una manguera con aislante para el vapor desde TrueSTEAM hasta su conducto de alimentación.
4. El flujo de aire del ventilador de su sistema de calefacción lleva la humedad a toda su casa. Su sistema de calefacción puede estar calentando el aire o no, dependiendo de la configuración del termostato y de la configuración de True STEAM.
5. Cuando la humedad de su hogar alcance el punto de referencia termina la demanda de humedad y TrueSTEAM deja de producir vapor. El ventilador del sistema de calefacción puede continuar funcionando hasta que la humedad del conducto esté completamente distribuida en su hogar.
6. Los sensores monitorizan el nivel de agua del tanque. La válvula solenoide integrada se abre y cierra para rellenar automáticamente el tanque, según sea necesario. Durante períodos de inactividad prolongados, el tanque se vaciará completamente para evitar que se estanque. El tanque se rellenará automáticamente cuando haya demanda de humedad.

## ¿Qué modelo de TrueSTEAM tengo?

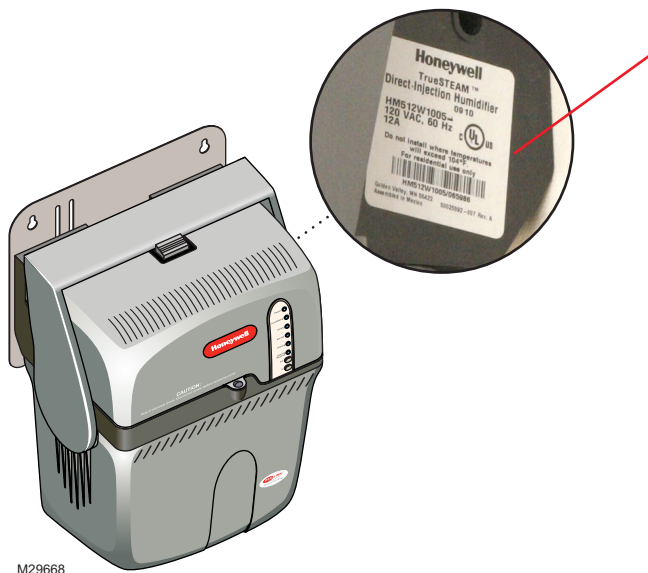
TrueSTEAM está a disposición en tres tamaños, cada uno con una capacidad de humidificación diferente.

- HM506 HM506 suministra hasta 6 galones (22,7 l) de agua diariamente en su hogar. Esto es generalmente adecuado para hogares de 4.000 a 14.400 pies cúbicos (113,3 m<sup>3</sup> a 407,8 m<sup>3</sup>).
- HM509 HM509 suministra hasta 9 galones (34 l) de agua diariamente en su hogar. Esto es generalmente adecuado para hogares de 8.000 a 18.400 pies cúbicos (226,6 m<sup>3</sup> a 521 m<sup>3</sup>).
- HM512 HM512 suministra hasta 12 galones (45,4 l) de agua diariamente en su hogar. Esto es generalmente adecuado para hogares de 12.000 a 24.000 pies cúbicos (339,8 m<sup>3</sup> a 679,6 m<sup>3</sup>).

El modelo adecuado para su hogar depende de muchos factores. El tamaño del área a ser humidificada, el alto del techo, el tipo de ventanas y aislamiento, así como su área geográfica, todos estos factores afectan la cantidad de humedad que requiere su hogar.

Algunas de las actividades que se desarrollan en su hogar pueden crear cargas mayores para TrueSTEAM. Las chimeneas con ventilación, la descarga excesiva de los ventiladores o secadoras puede disminuir la humedad en su hogar y hacer que TrueSTEAM trabaje más.

Su instalador profesional o el vendedor habrán considerado estos y otros factores cuando elijan el modelo de TrueSTEAM más adecuado para su situación particular.



Esta etiqueta muestra el número de modelo y el código de fecha de su TrueSTEAM.

# ¿Qué control de humedad tengo?

TrueSTEAM viene con un control de humedad. Su control de humedad estará incluido en el termostato de su hogar (RedLINK Prestige o VisionPRO IAQ), o será una unidad separada (TrueIAQ o H8908). Usted utilizará el control de humedad para establecer el nivel de humedad deseado en su hogar, y para activar o apagar TrueSTEAM.

SU NUEVO  
TrueSTEAM



## RedLINK Prestige™ Color de alta definición

- Control inalámbrico avanzado para equipo de calidad del aire.
- Controla automáticamente la temperatura, TrueSTEAM y otros equipos para la calidad del aire.
- Muestra la humedad actual y la deseada en una pantalla digital intuitiva.
- Sensor inalámbrico para visualizar la temperatura y la humedad exteriores
- Recordatorios de mantenimiento y servicio técnico



## VisionPRO™ IAQ

- Controla automáticamente la temperatura, TrueSTEAM y otros equipos para la calidad del aire.
- Sensor para visualizar la temperatura exterior.
- Programación fácil de temperatura para 7 días en una pantalla digital intuitiva.
- Recordatorios de mantenimiento y servicio técnico



## TrueIAQ™

- Controla automáticamente el equipo de calidad del aire
- Sensor para visualizar la temperatura y la humedad exteriores.
- Muestra la humedad real y la configuración deseada.
- Recordatorios de mantenimiento y servicio técnico

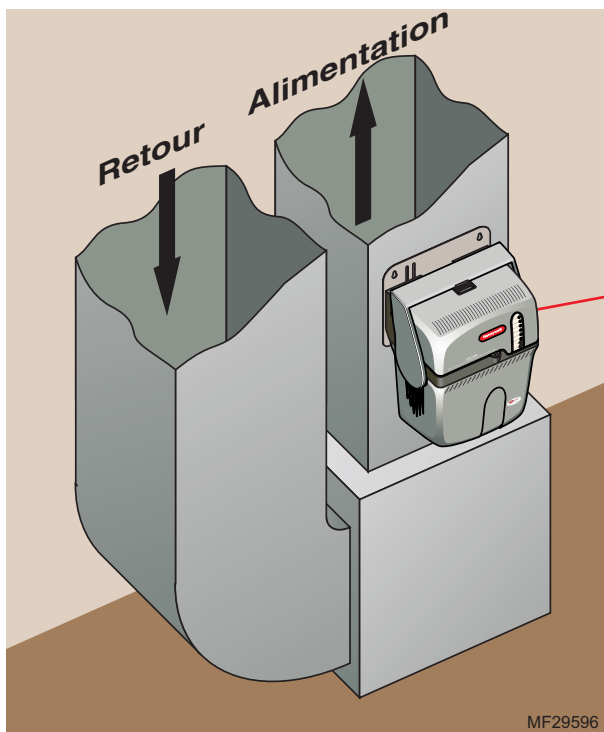


## H8908 Control manual

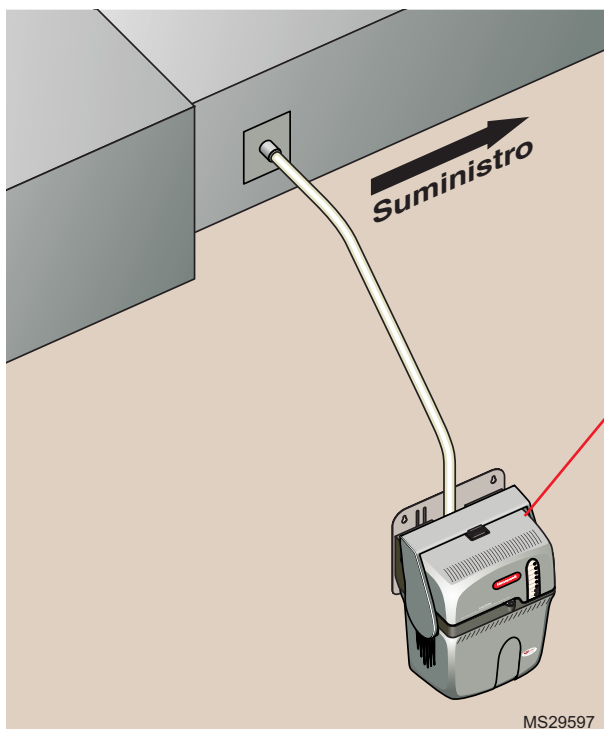
- Control manual de humedad con configuraciones intuitivas de confort.
- Gráfico de humedad integrada para el control preciso bajo condiciones cambiantes.

## ¿Cómo se instala mi TrueSTEAM?

Su instalador profesional HVAC (calefacción, ventilación y aire acondicionado) instalará TrueSTEAM en un lugar adecuado de su hogar. La mejor ubicación depende de su tipo de sistema de calefacción y la configuración y de cómo se organiza su espacio habitable con respecto a los conductos de calefacción. Su TrueSTEAM se colocará en el conducto o a distancia.



**Montaje en conducto.** TrueSTEAM se instala directamente en el conducto de suministro de aire (caliente) de su sistema de calefacción. La boquilla de vapor lo envía directamente desde TrueSTEAM hacia el conducto para que se distribuya por toda su hogar.

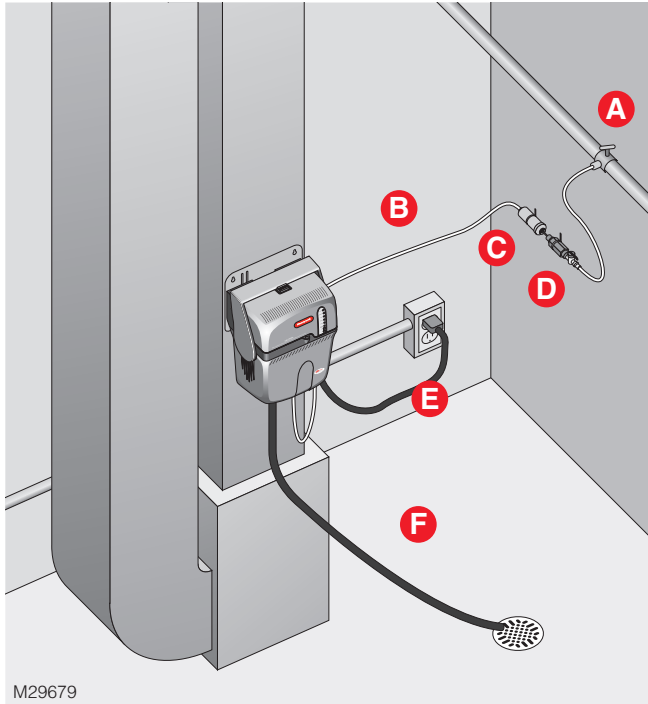


**Montaje a distancia.** TrueSTEAM se instala a cierta distancia del conducto de suministro de su sistema de calefacción. Una manguera con aislante lleva el vapor desde TrueSTEAM hasta una ubicación adecuada del conducto de suministro.

El montaje a distancia se efectúa generalmente cuando no se puede encontrar una ubicación adecuada para el montaje en el conducto de su sistema de calefacción.

# ¿Qué partes de TrueSTEAM debo conocer?

Su instalación de TrueSTEAM incluye las siguientes partes y componentes con los cuales debe familiarizarse:



M29679

## A. Conexión de agua fría con válvula de corte

Proporciona la conexión de TrueSTEAM a la tubería de agua fría de su hogar. Su instalador profesional puede haber usado la válvula de asiento que viene con TrueSTEAM, o puede haber elegido un tipo de conexión diferente. Esta conexión deberá incluir una válvula de corte para que usted cierre el flujo de agua hacia TrueSTEAM, si fuese necesario.

**IMPORTANTE:** TrueSTEAM requiere de agua fría. No conecte un suministro de agua caliente a TrueSTEAM.

## B. Tubería de suministro de agua

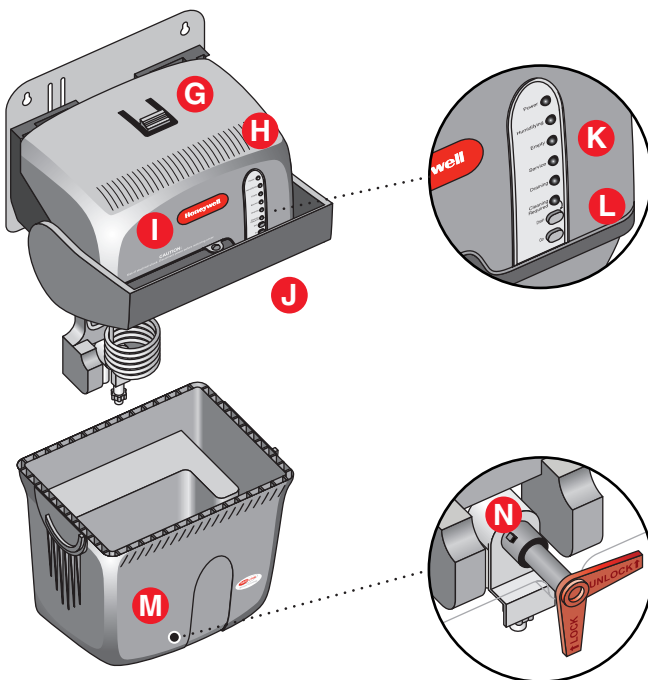
Esta tubería de ¼ de pulgada lleva agua fría a TrueSTEAM desde un tubo de agua de su hogar. Su instalador profesional puede haber utilizado la tubería plástica que se suministra o un tubo de cobre, según sea necesario.

## C. Filtro de agua en la tubería

Es probable que el instalador proporcione un filtro de agua para la tubería de suministro de agua que conduce a TrueSTEAM. Esto ayuda a minimizar la formación de depósitos minerales en el tanque de TrueSTEAM. Para un rendimiento óptimo, reemplace este filtro de agua una vez por cada temporada de humidificación. Refiérase a “¿Cómo cambio el filtro de agua?” en la página 19.

## D. Válvula de corte y dispositivo contra reflujo

Honeywell suministra esta válvula y es un requisito de la normativa. Evita que el agua fluya inversamente en la tubería de suministro de agua.



M27981

### E. Cable de alimentación

TrueSTEAM se enchufa a un tomacorriente doméstico de 120 voltios AC. El cable de alimentación que se suministra tiene 6 pies (1,8 m) de largo.

### F. Manguera de desagüe

Esta manguera de ½ pulgada vacía el agua de TrueSTEAM en una tubería de desagüe de su hogar. El tanque se vacía automáticamente cuando TrueSTEAM ejecuta un ciclo de descarga automática y al final de la temporada de humidificación. También puede vaciar el tanque manualmente para limpiarlo o efectuar mantenimiento adicional.

### G. Botón de seguridad para el desbloqueo

Este botón evita que la palanca de desbloqueo del tanque se mueva accidentalmente hacia adelante y desbloquee el tanque de agua. Presione y conserve el botón hacia abajo para mover la palanca hacia delante.

### H. Orificios de ventilación

Estos orificios proporcionan flujo de aire a los componentes electrónicos dentro de la cubierta de TrueSTEAM. El mantenimiento normal incluye conservar limpios estos agujeros.

### I. Cubierta TrueSTEAM

Las conexiones para el cableado y los componentes electrónicos de TrueSTEAM están ubicados detrás de la cubierta. No hay partes utilizables para el propietario aquí y sólo un técnico de servicio calificado en HVAC debe retirar la cubierta.

### J. Palanca de desbloqueo del tanque

Esta palanca fija el tanque de agua en su lugar en TrueSTEAM. Presione el botón de seguridad para el desbloqueo, luego hale la palanca hacia adelante para desbloquear el tanque de agua cuando lo retire para limpieza o servicio.

**IMPORTANTE:** Sólo retire el tanque después de que esté completamente vacío. Refiérase a “¿Cómo limpio el tanque?” en la página 16.

### K. Luces

Las seis luces están encendidas o destellando para indicar el estado de funcionamiento y cuando se requiera servicio. Refiérase a “¿Qué me dicen las luces?” en la página 13.

### L. Botones TrueSTEAM

Los dos botones son los únicos controles ubicados en TrueSTEAM. Raramente debe utilizarlos el propietario. (Recuerde, el funcionamiento de día a día se efectúa utilizando el control de humedad). Utilice el botón Drain (drenar) para vaciar manualmente el agua del tanque. Use el botón Go (comenzar) para reiniciar TrueSTEAM cuando reinicie el sistema. Refiérase a “¿Cuándo debo presionar los botones Drain (drenar) y Go (comenzar)?” en la página 14.

### M. Tanque de agua

El tanque contiene el agua que TrueSTEAM calienta y convierte en vapor. Puede retirar el tanque para limpiarlo.

### N. Válvula de corte manual

Gire esta válvula manualmente para cualquiera de las dos posiciones:

**Lock (bloqueo):** La válvula estará bloqueada durante el funcionamiento. Esto activa el suministro de agua y bloquea la válvula solenoide en su lugar. (TrueSTEAM utiliza la válvula solenoide para controlar el flujo de agua que ingresa al tanque.)

**Unlock (desbloqueo):** Girar la válvula a “Unlock” (desbloqueo) sella la parte inferior del tanque y el suministro de agua para evitar fugas cuando realice la limpieza manual del tanque. También desengancha la válvula solenoide de modo que pueda empujar nuevamente hacia atrás el solenoide en su base para desbloquear el tanque. Una vez que haya hecho esto, puede halar hacia delante la palanca de desbloqueo del tanque para retirarlo y efectuar la limpieza. Refiérase a “¿Cómo limpio el tanque?” en la página 16.

# ¿Qué debo esperar de mi TrueSTEAM?

Honeywell desea cerciorarse de que usted sepa lo que puede esperar de la instalación de su nuevo TrueSTEAM. Discuta estos puntos con su instalador profesional:

- **Cómo lograr el punto de referencia de la humedad.** Lograr el punto de referencia de la humedad puede tomar inicialmente hasta una semana de funcionamiento continuo. Esto depende de factores tales como el clima, el tamaño de la vivienda, el mobiliario y el aislante. Una vez logrado, TrueSTEAM no tendrá que funcionar tanto para conservar la humedad.
- **Olor a plástico o caucho.** Cuando el humidificador comienza a funcionar después de la instalación original, es normal que exista un ligero olor a plástico en la vivienda. Si se utiliza la manguera a distancia, puede que exista un ligero olor a caucho. Estos olores se disiparán en pocos días.
- **Humedad ideal.** Los expertos de la industria consideran que un 35% de humedad relativa en un invierno promedio es ideal para el confort interior. Usted puede regularlo a su propio nivel de confort o hasta que se produzca condensación en las ventanas. Baje el punto de referencia si aparece condensación.
- **La unidad no esta humidificando.** Si TrueSTEAM no está funcionando pero la humedad está por debajo de la configuración deseada, el control de humedad puede tener una configuración de protección de congelamiento. Refiérase a “¿Qué es una configuración de congelamiento?” en la página 12. Observe que TrueSTEAM no humidificará mientras esté en el ciclo de descarga automática.
- **No alcanza el punto de referencia.** Si la humedad no alcanza el punto de referencia, puede que el tamaño de TrueSTEAM sea inferior al requerido para la vivienda. Esto puede deberse al aislante, las ventanas y el clima, así como otros factores ambientales. Asimismo, la temperatura externa puede que esté demasiado baja para conservar el nivel de humedad. Si aún no alcanza la humedad deseada, es posible que necesite una unidad TrueSTEAM de mayor capacidad.
- **Ventilación de la vivienda.** La ventilación excesiva permite que escape el aire humidificado y lo reemplace por aire seco. Esto puede dificultar la conservación del punto de referencia de humedad. Si está instalando un ventilador, utilice una solución que retenga humedad. Se recomienda un Ventilador de Recuperación de la Energía (ERV, por sus siglas en inglés).
- **Luz Cleaning Required (requiere limpieza).** Si la luz Cleaning Required está encendida, limpie TrueSTEAM ejecutando los pasos indicados en “¿Cómo limpio el tanque?” en la página 16. TrueSTEAM continuará funcionando normalmente mientras la luz de Cleaning Required esté encendida.
- **Agua dura.** La dureza del agua de su hogar determina la frecuencia con que deba limpiar TrueSTEAM y cuán a menudo debe cambiar el filtro de agua.
- **Consumo de energía.** Es posible que observe un ligero aumento del consumo de energía cuando cualquier humidificador esté trabajando. Sin embargo, TrueSTEAM hará que su hogar se sienta más cálido. Esto le permite bajar la configuración de temperatura del termostato. Cada grado que disminuya en el termostato puede ahorrar hasta 3% de los costos de calefacción.



# ¿Cómo hago funcionar TrueSTEAM?

Una vez que TrueSTEAM esté instalado y funcionando, el trabajo es automático. Utilice el control de humedad que se suministra para hacer cualquier cambio al punto de referencia o para activar o desactivar TrueSTEAM.

Su instalador profesional configuró TrueSTEAM para que cree vapor únicamente cuando las condiciones de su sistema de calefacción, ventilación y aire acondicionado sean las adecuadas. El vapor se produce únicamente cuando el ventilador del sistema esté enviando aire a través del conducto.

Lea el manual que viene con su control de humedad. Si tiene dudas sobre el funcionamiento de TrueSTEAM, formule las preguntas a su instalador profesional.

- **¿Cómo utilizo el control de humedad?** Siempre que la humedad de la vivienda sea inferior al punto de referencia del control de humedad, el control dará la orden de humidificar. Algunos controles también monitorizarán las condiciones externas para evitar que la humedad interna se condense en las ventanas y paredes. Refiérase al manual que se suministra con el control de humedad sobre las instrucciones para configurar el control. Hay dos tipos diferentes de control de humedad:

## Termostato con control de humedad integrado (tal como VisionPRO IAQ o RedLINK Prestige).



Esto le permite controlar su sistema de calefacción, aire acondicionado central y TrueSTEAM, todo con un solo aparato.

## Control de humedad separado del termostato, como H8908 o TrueIAQ.



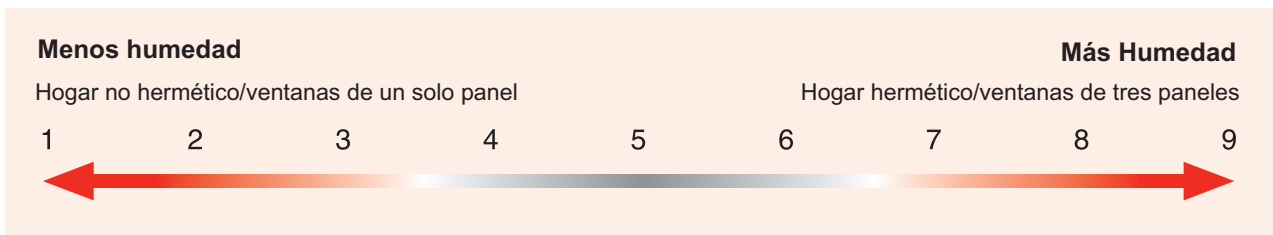
Esto le permite utilizar su termostato actual para controlar la calefacción y el aire acondicionado central. Utilice el control de humedad separado para controlar su TrueSTEAM.

- **¿Cuál debe ser mi punto de referencia de humedad?** La temperatura del aire externo afecta la cantidad de humedad que pueda retener el aire de su hogar. Utilice este cuadro como punto de partida. Luego regule el control de humedad a su propio nivel de confort o hasta que aparezca condensación en las ventanas.

Temperatura exterior	Configuración de humedad relativa recomendada
-29 °C (-20 °F)	15 %
-23 °C (-10 °F)	20 %
-18 °C (0 °F)	25 %
-12 °C (10 °F)	30 %
-7 °C (20 °F)	35 %
>-1 °C (20 °F)	35 %

- **¿Qué es una configuración de congelamiento?** Algunos controles de humedad (tales como Prestige, VisionPRO IAQ, y True IAQ) contienen una función de protección de congelamiento de ventana que limita la salida de humedad basado en las condiciones exteriores. Por ejemplo, en los días más fríos, el aire de su hogar puede retener menos humedad. El control de humedad disminuye automáticamente de forma correspondiente el punto de referencia de la humedad a objeto de evitar que aparezca escarcha en la parte de adentro de sus ventanas.

Baje la configuración de congelamiento un valor cada mañana que vea escarcha o condensación en las ventanas. Deje transcurrir 24 horas para que la nueva configuración entre en vigor antes de volver a regular. Una vez que esté configurado en un nivel cómodo sin que haya formación de condensación, no necesitará ajustarlo de nuevo. Puede ajustar el punto de referencia de humedad sin tener que preocuparse por la condensación.

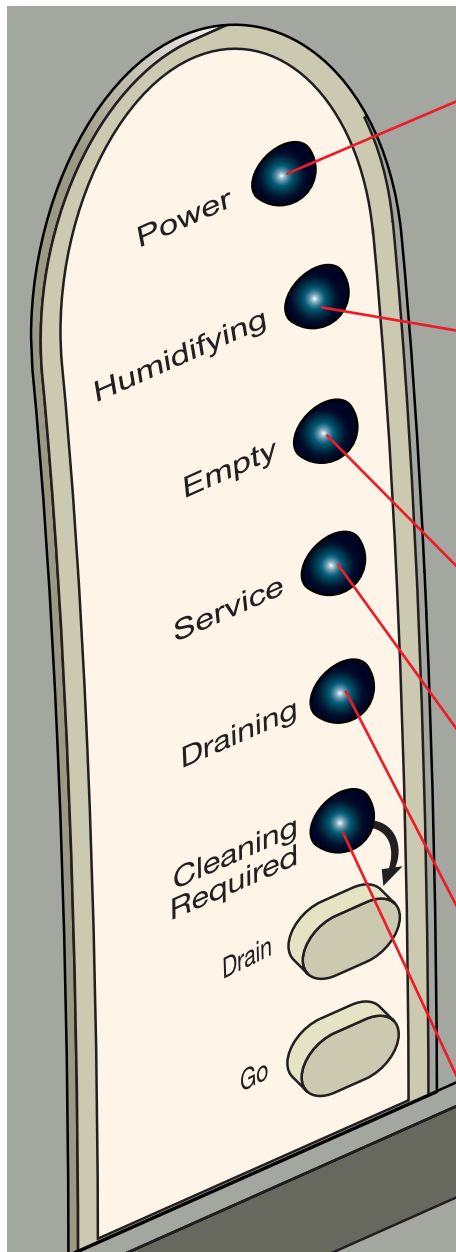


MS27982

Los controles manuales de humedad (tales como el H8908) no tienen configuraciones de congelamiento integradas. Es necesario que usted ajuste el punto de referencia de humedad cuando la temperatura exterior cambie. Utilice puntos de referencia de humedad más elevados cuando la temperatura sea más cálida y puntos de referencia más bajos cuando la temperatura sea más fría.

## ¿Qué información me indican las luces?

Las seis luces muestran la condición de TrueSTEAM e indican cuando debe efectuarse el servicio.



M29628

**Power (Activado) (verde).** “On” indica que el cable de alimentación está enchufado.

**Humidifying (Humidificando) (verde).**

**Encendido** – TrueSTEAM está calentando el agua activamente y creando vapor.

**Destellando** – TrueSTEAM está reiniciando o llenando. Esto ocurre generalmente cuando se enchufa el cable de alimentación y dura alrededor de 3 minutos. Puede presionar el botón Go (iniciar) para reiniciar TrueSTEAM inmediatamente.

**Oscuro** – TrueSTEAM está en la modalidad de Listo – puede calentar el agua y producir vapor cuando venga una demanda de humedad procedente del control.

**Empty (Vacío) (verde).** Cuando está encendida, el tanque de agua está vacío y puede retirarlo para limpiarlo manualmente.

**Service (Servicio) (roja).**

**Destellando** – El número de destellos (de 1 a 18) muestra el tipo de falla que TrueSTEAM ha detectado. Refiérase a “¿Qué debo hacer si la luz de servicio está destellando?” en la página 22.

**Draining (Drenando) (amarilla)**

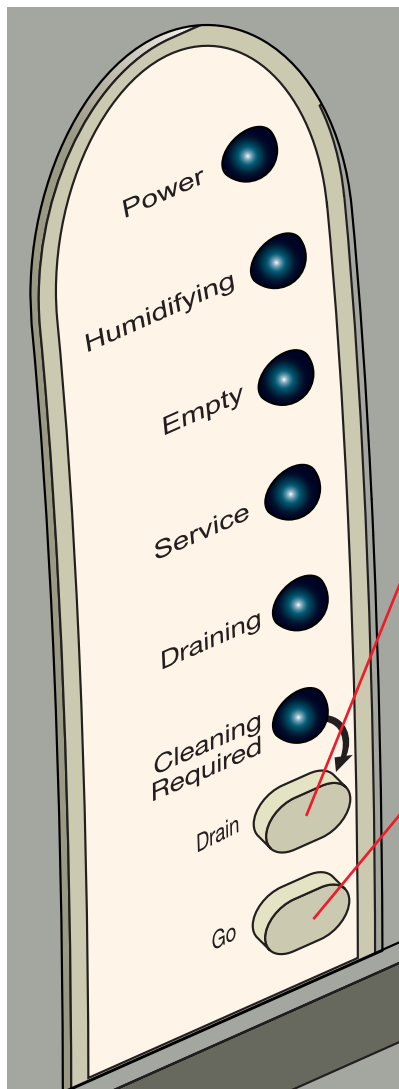
**Destellando** – TrueSTEAM está descargando el agua del tanque para limpieza manual. Refiérase a “¿Qué es el ciclo de descarga automática?” en la página 15.

**Cleaning Required (Requiere limpieza) (amarillo).**

**Encendida** – Indica que el tanque necesita limpiarse manualmente. Refiérase a “¿Cómo limpio el tanque?” en la página 16.

## ¿Cuándo debo presionar los botones Drain (drenar) y Go (comenzar)?

Los dos botones se utilizan cuando arranque TrueSTEAM y para vaciar manualmente el tanque.



M29628

**Botón Drain (drenaje):** Presione y sostenga para vaciar el agua del tanque de TrueSTEAM. Refiérase a “¿Cómo limpio el tanque?” en la página 16.

Cuando la luz de Draining (drenando) está destellando, TrueSTEAM está activamente descargando el agua durante un drenaje manual.

**Botón Go (comenzar):** Presione para comenzar o reiniciar TrueSTEAM cuando la luz de Humidificando esté destellando.

Presionar y sostener Go también elimina los destellos de la luz de Servicio y detiene la salida de agua del tanque.

**Botón Drain (drenaje) y Go (comenzar):** Presionar y sostener los botones Drain y Go al mismo tiempo interrumpirá el ciclo de enfriamiento del agua y drenará el tanque de inmediato.

**IMPORTANTE:** Presionar y sostener juntos los botones Drain y Go – cuando la luz de Draining (drenando) esté encendida—hace que TrueSTEAM vacíe el tanque, independientemente de la temperatura del agua. Compruebe que la salida del desagüe pueda soportar hasta 212 °F (100 °C), o espere al menos 45 minutos para permitir que el agua se enfríe antes de utilizar esta función.

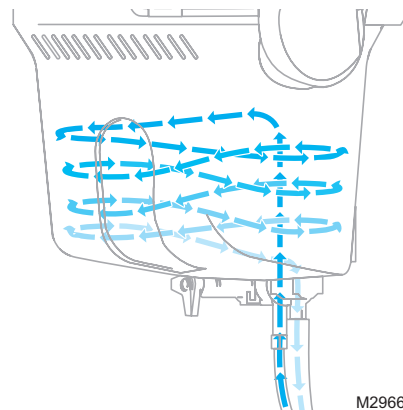


### **PRECAUCIÓN: Riesgo de quemaduras**

La temperatura inicial del agua drenada puede ser superior a 140 °F (60 °C) y puede causar lesiones por quemaduras. Verifique que la salida del desagüe no esté expuesta y tenga precaución cuando presione el botón Drain (Drenar).

## ¿Qué es el ciclo de descarga automática?

TrueSTEAM descarga automáticamente el agua del tanque durante la temporada de humidificación. En el ciclo de descarga automática, el agua fría ingresa al tanque mientras el agua se está vaciando a través de la tubería de desagüe. La acción de llenado y desagüe simultánea enfría el agua a una temperatura de drenaje segura. También diluye la concentración de la dureza del agua para disminuir la formación de depósitos minerales en el tanque.



Al final del ciclo de descarga automática, TrueSTEAM rellena el tanque con agua fresca y automáticamente vuelve a su funcionamiento normal.

La descarga automática se efectúa regularmente, basado en el número de horas que TrueSTEAM calienta el agua y produzca vapor. La descarga automática puede configurarse para que ocurra en cualquiera de los siguientes intervalos.

### Intervalos de autodescarga

- 8 horas (se recomienda para agua dura)
- 12 horas (configuración de fábrica)
- 20 horas (cuando está instalado un ablandador de agua)
- 30 horas (cuando tiene instalado un filtro OI opcional)

Su instalador profesional configuró TrueSTEAM para que descargue al intervalo adecuado para su instalación. Durante cualquier visita de servicio, el intervalo de descarga automática puede cambiarse, si lo desea.



### PRECAUCIÓN: Riesgo de quemaduras

La temperatura inicial del agua drenada puede ser superior a 140 °F (60 °C) y puede causar lesiones por quemaduras. Verifique que la salida del desagüe no esté expuesta y tenga precaución cuando presione el botón Drain (Drenar).

## ¿Por qué necesito limpiar manualmente el tanque?

La limpieza manual del tanque es necesaria al menos una vez durante cada temporada para limpiar los depósitos minerales que permanecen en el tanque después de la descarga automática. La limpieza manual es fácil – simplemente vacíe y retire el tanque del agua y limpie los componentes del interior. Luego reensamble y arranque TrueSTEAM nuevamente.

- **¿Cuándo debo limpiar el tanque?** TrueSTEAM debe limpiarse manualmente al menos una vez cada 5 meses. (En lugares donde exista agua dura puede requerir limpiezas más frecuentes). La luz de “Cleaning Required” (necesita limpieza) se enciende cuando el tanque necesita limpieza manual. TrueSTEAM seguirá funcionando normalmente cuando se encienda la luz de “Cleaning Required” (necesita limpieza). La luz se apagará cuando haya limpiado el tanque y reiniciado TrueSTEAM.

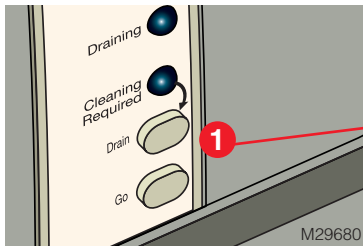
Nota: La luz de Cleaning Required (necesita limpieza) se enciende cuando el tanque se vacía muy lentamente durante un ciclo de descarga manual. (Esto probablemente se deba a los sedimentos en el tanque). TrueSTEAM continuará funcionando normalmente. Si durante el siguiente ciclo de descarga manual el tanque se vacía normalmente, la luz de Cleaning Required (necesita limpieza) dejará de destellar.



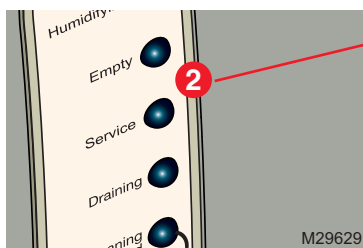
### PRECAUCIÓN: Riesgo de quemaduras

La temperatura inicial del agua drenada puede ser superior a 140 °F (60 °C) y puede causar lesiones por quemaduras. Verifique que la salida del desagüe no esté expuesta y tenga precaución cuando presione el botón Drain (Drenar).

- **¿Cómo limpio el tanque?** Siga estos pasos para limpiar manualmente TrueSTEAM:

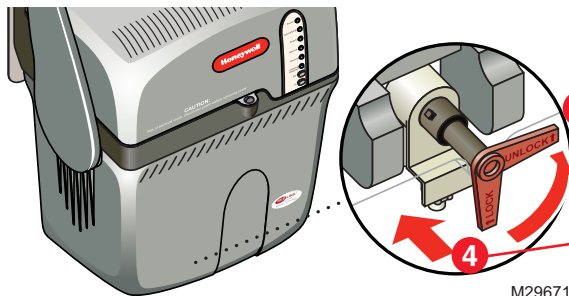


Presione el botón Drain (Drenar) para iniciar un ciclo de descarga y vaciar el tanque de agua. Usted sabrá que el tanque se está vaciando cuando la luz Draining (drenando) esté destellando.



Espere a que se encienda la luz Empty (vacío). (El desagüe del tanque toma aproximadamente 45 minutos) Esto indica que el agua ha terminado de salir.

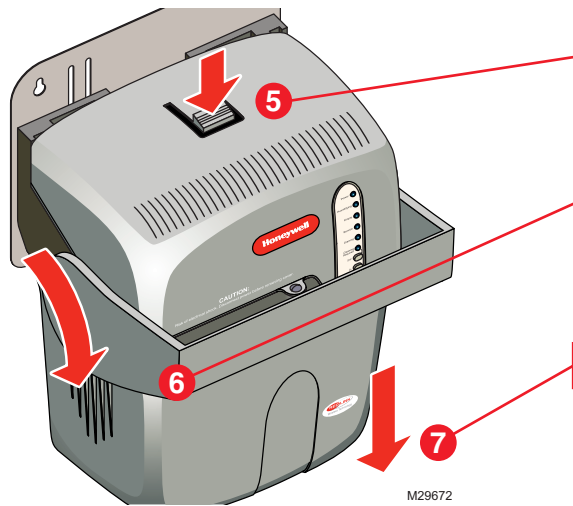
**IMPORTANTE:** Puede detener una descarga manual una vez que el ciclo haya comenzado, presionando y sosteniendo el botón Drain (drenar) mientras la luz de Draining (drenando) esté todavía destellando. El tanque se rellenará y TrueSTEAM regresará a su funcionamiento normal en aproximadamente 5 minutos.



Gire la válvula de corte manual en la parte inferior del tanque a la posición “Unlock” (desbloquear).

Tome el brazo de la válvula de agua limpia y empújelo hacia atrás para desconectarlo del tanque.

M29671

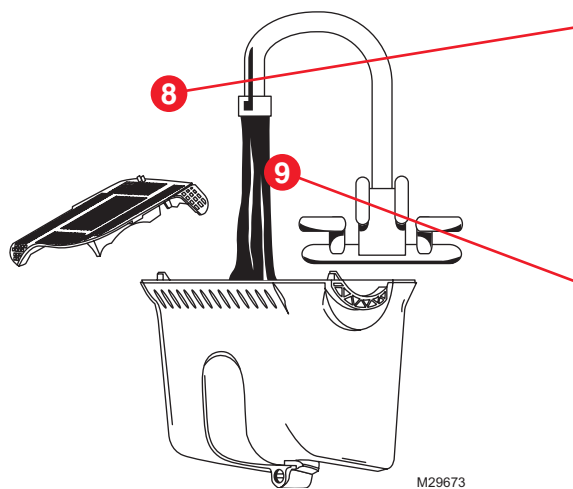


Primero, sujete firmemente la parte inferior del tanque. Seguidamente presione hacia abajo el botón de seguridad para el desbloqueo.

Hale el pestillo hacia adelante para desbloquear el tanque.

Nota: El pestillo permanece fijo a TrueSTEAM y no se retira con el tanque.

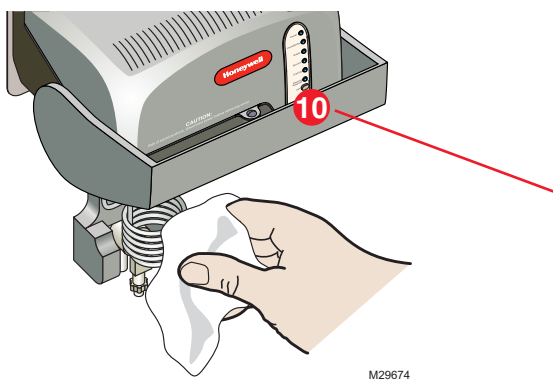
Retire el tanque.



Retire la malla para sedimento de la parte inferior del tanque.

Utilice agua corriente para eliminar los minerales sueltos del tanque y de la malla de sedimentos:

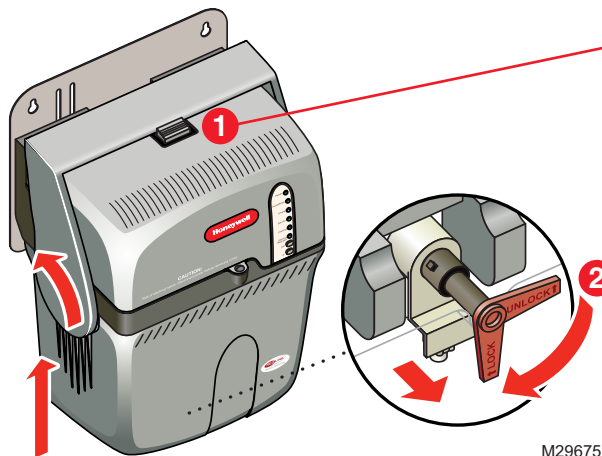
- Para una limpieza más profunda, remoje el tanque en agua tibia. Luego enjuáguelo. El tanque también es apto para lavaplatos.
- Honeywell recomienda CLR® o LimeAway®, o vinagre blanco para la limpieza. No utilice limpiadores a base de aceite o hidrocarburos.



Desenchufe TrueSTEAM y frote la resistencia y las paredes del depósito para eliminar los minerales.

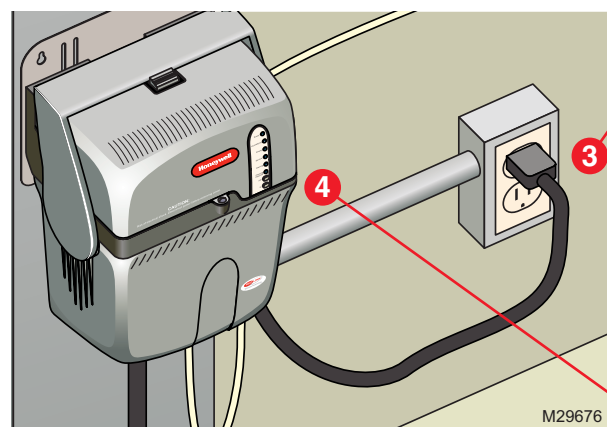
- Las esponjas de cocina para ollas o cacerolas antiadherentes son adecuadas para la limpieza de las paredes del depósito y para los componentes interiores del tanque del TrueSTEAM.
- Para una limpieza a fondo de la resistencia, Honeywell recomienda remojarla con CLR®, LimeAway®, o vinagre blanco. No utilice limpiadores a base de aceite o hidrocarburos.

**¿Cómo reensambla y pongo en funcionamiento TrueSTEAM?** Siga estos pasos para reensamblar el tanque y poner en funcionamiento la unidad TrueSTEAM después de la limpieza:



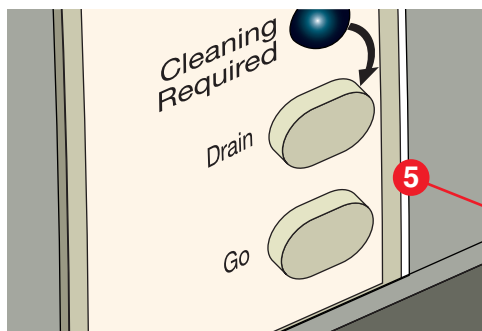
Fije el tanque elevando el pestillo.

Hale la válvula de agua limpia hacia adelante para conectarla a la bobina negra. Seguidamente gire la válvula de corte manual a la posición "Lock" (bloqueada).



Enchufe el cable de alimentación.

La luz de encendido estará activa al arranque. Si el control de humedad está también ordenando humedad, la luz de Humidificación destellará. Esto indica que TrueSTEAM está esperando actuar en la demanda para permitir que transcurra el tiempo necesario para que el tanque esté totalmente conectado.



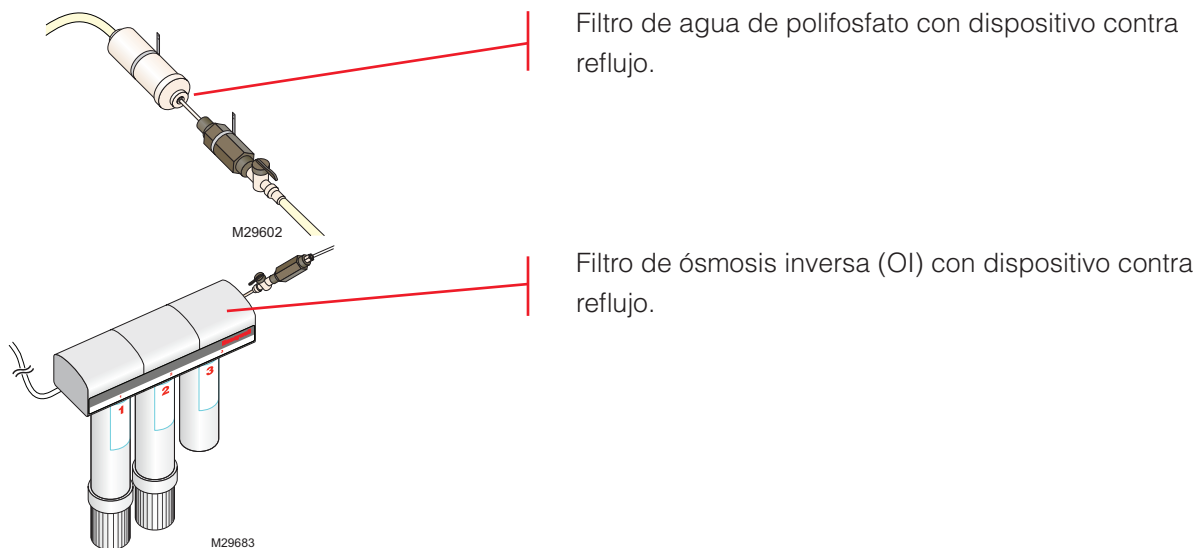
Presione el botón "Go" para comprobar que TrueSTEAM esté listo para usar. Deberá efectuar una demanda activa de humedad desde el control de humedad para que TrueSTEAM produzca vapor.

Nota: No tiene que presionar el botón "Go" después de enchufar el cable de alimentación. TrueSTEAM esperará 5 minutos y luego se reiniciará automáticamente.

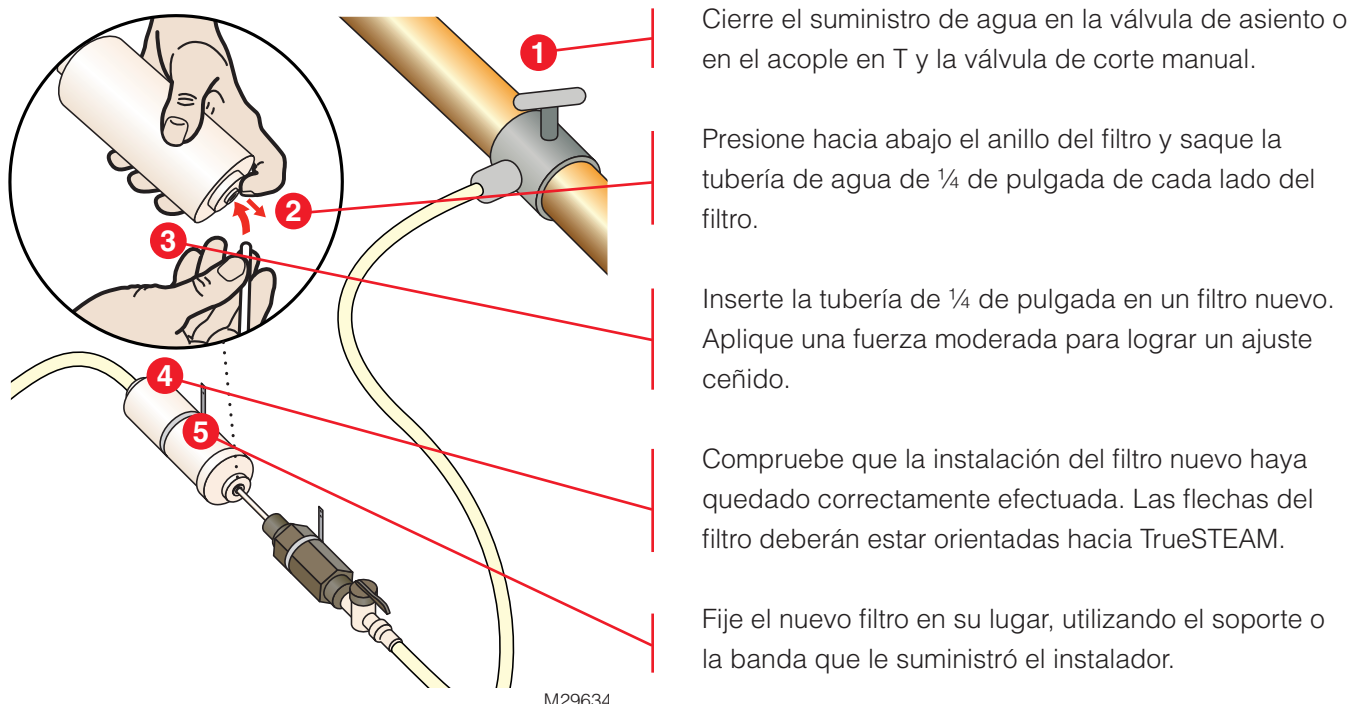


## ¿Cómo cambio el filtro del agua?

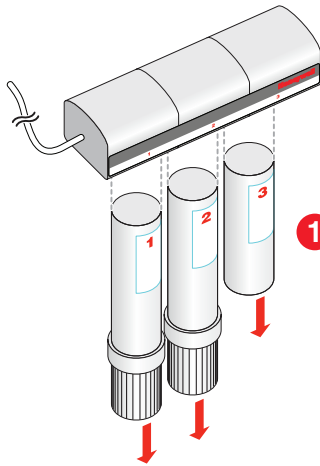
Su instalador profesional HVAC (calefacción, ventilación y aire acondicionado) elegirá uno de estos dos filtros de tubería para utilizar en su TrueSTEAM. La elección se basa en la dureza del agua de su vivienda. Ambos tipos de filtro deberán reemplazarse al menos una vez cada temporada de humidificación.



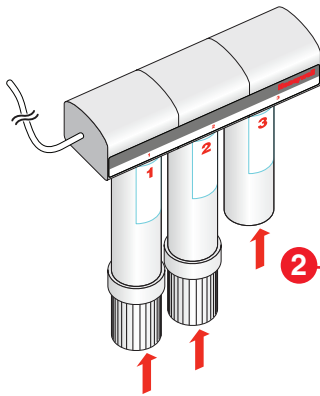
- **Cambio del filtro de polifosfato en la tubería.** Su instalador profesional habrá fijado el filtro de agua y la válvula contra reflujo en un lugar donde pueda acceder a ellos. Siga la tubería de suministro de agua de TrueSTEAM para encontrar el filtro.



- **Cambio de los filtros tipo cartucho de ósmosis inversa.** Si el filtro de osmosis inversa se utiliza en su instalación, deberá reemplazar dos filtros tipo cartucho una vez en cada temporada de humidificación. Observe que la opción del filtro de ósmosis inversa tiene más componentes que el filtro en la tubería e incluye una tubería de drenaje separada.



Retire los filtros N<sup>os</sup> 1, 2, y 3, en este orden.



Reconecte los filtros en este orden:

- Vacíe el agua del filtro N<sup>o</sup> 3 y reconecte al sistema de osmosis inversa. (No lo reemplace).
- Conecte un nuevo filtro N<sup>o</sup> 2.
- Conecte un nuevo filtro N<sup>o</sup> 1.

M29663

## ¿Qué debo hacer al finalizar la temporada de humidificación?

TrueSTEAM automáticamente deja de funcionar cuando no se necesita humedad durante un período prolongado. Después de varios días de inactividad, el tanque de agua se vaciará y permanecerá vacío hasta que se genere otra demanda de humedad. Esto evita que el agua se estanque dentro del tanque. TrueSTEAM rellenará el tanque con agua y se reiniciará cuando el control emita una demanda de humedad nuevamente.

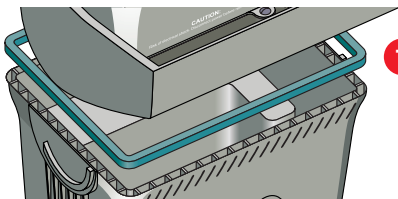
Siga estos pasos de mantenimiento al final de la temporada de uso de la calefacción. Hacer esto todos los años ayuda a conservar su TrueSTEAM al máximo nivel de eficacia.



**¡ADVERTENCIA!** Riesgo de electrocución.

Durante la limpieza, TrueSTEAM deberá desenchufarse si retira la cubierta para evitar que la corriente de 120 VAC esté presente en la bobina y en otros componentes del tanque.

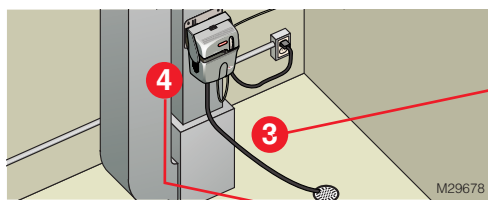
Limpie el tanque siguiendo el procedimiento descrito en “¿Cómo limpio el tanque?” en las páginas 15 – 18. Limpiar el tanque al final de la temporada acondiciona a la unidad TrueSTEAM para estar lista para entrar en funcionamiento la próxima vez que su hogar necesite humedad.



Examine le empaquetadura del tanque de agua. Si la empaquetadura está rajada o dividida, debe reemplazarla antes de volver a colocar el tanque de agua.



Limpie los orificios de ventilación de la cubierta de TrueSTEAM.



Limpie el tubo de drenaje de agua conectado a la válvula solenoide. Desconecte la manguera e inspeccione si hay obstrucciones, luego haga correr agua corriente caliente a través de la manguera.

Revise que TrueSTEAM permanezca instalado en una posición nivelada.

- **¿Y si me voy de vacaciones?** Aunque el tanque de agua de TrueSTEAM se vaciará automáticamente después de varios días, Honeywell recomienda cerrar el suministro de agua hacia TrueSTEAM y apagar el control de humedad en caso de ausencias prolongadas. Al regreso, abra el suministro de agua y reinicie el control al punto de referencia deseado.

## ¿Qué debo hacer si la luz de servicio está destellando?

La luz roja de servicio destella cuando el diagnóstico interno detecta un problema con TrueSTEAM. Siga estos pasos para intentar corregir el problema:

1. Presione y sostenga el botón “Go” para eliminar la falla. Si TrueSTEAM puede reiniciarse, la luz de servicio dejará de destellar y TrueSTEAM funcionará normalmente. No es necesario hacer nada más.
2. Si la falla no se borra, desenchufe el cable de alimentación de TrueSTEAM y enchúfelo de nuevo en el tomacorriente.
3. Si la falla reaparece, espere 24 horas antes de llamar a un instalador profesional de calefacción, ventilación y aire acondicionado. Es posible que TrueSTEAM se autocorrija automáticamente.

## ¿Qué hacer si tengo un problema con TrueSTEAM?

Si tiene algún problema con TrueSTEAM, intente poner en práctica las siguientes sugerencias. La mayoría de los problemas pueden solucionarse de manera fácil y rápida.

Problemas	Síntomas o Causas	Pasos de Reparación (para ser efectuado únicamente por un técnico profesional de calefacción, ventilación y aire acondicionado)
Humedad baja	TrueSTEAM no produce vapor.	<ol style="list-style-type: none"><li>1. Confirme que la luz de activado esté encendida.</li><li>2. Coloque el control de humedad y/o de congelamiento en una configuración más alta. Refiérase a “¿Cómo utilizo el control de humedad?” en la página 11.</li><li>3. Verifique que haya energía en el sistema de calefacción.</li><li>4. Reinicie el interruptor de circuito o verifique si hay algún fusible quemado.</li><li>5. Si la falla persiste, apague el control de humedad. Desenchufe TrueSTEAM, reinicie el interruptor de circuito y llame a un contratista profesional de calefacción, ventilación y aire acondicionado.</li></ol>
	Cambios rápidos de aire. Corrientes de aire (el aire frío es seco y es una carga adicional para TrueSTEAM).	<ol style="list-style-type: none"><li>1. Mantenga las puertas y las ventanas cerradas.</li><li>2. Cierre el regulador de tiro de la chimenea cuando no la utilice.</li><li>3. Mantenga el ventilador extractor funcionando al mínimo.</li><li>4. Selle todos los espacios alrededor de las puertas y de las ventanas.</li><li>5. Pida a su instalador profesional sugerencias sobre soluciones de ventilación que retengan la humedad interior (tales como un ventilador de recuperación de energía).</li></ol>
Humedad alta	Mucha condensación en las paredes.	<ol style="list-style-type: none"><li>1. Apague el control de humedad y/o la configuración de descongelamiento hasta que la condensación se haya evaporado completamente.</li><li>2. Una vez que la condensación se haya evaporado, reajuste el punto de referencia de humedad y/o la configuración de descongelamiento a un nivel inferior para evitar que vuelva a ocurrir condensación. Refiérase a “¿Cómo utilizo el control de humedad?” en la página 11.</li></ol>
	Mucha condensación en las ventanas	<ol style="list-style-type: none"><li>1. Gire el control de humedad hacia abajo lo suficiente para eliminar la condensación causada por la humedad originada por tomar el baño, pasar el trapeador, cocinar, etc.</li><li>2. Si la humedad persiste, es necesario que exista más ventilación.</li></ol>

## Garantía limitada de 5 años

Honeywell garantiza que este producto no tiene defectos en la mano de obra ni en los materiales en condiciones de uso y servicio normales durante un período de cinco (5) años desde la fecha de compra del consumidor. Si en cualquier momento, durante el período de vigencia de la garantía, se determina que el producto está defectuoso o no funciona adecuadamente, Honeywell lo reparará o lo reemplazará (a elección de Honeywell).

Si el producto está defectuoso,

(i) llévelo al lugar donde lo compró, junto con la factura de compra u otra prueba de compra que incluya la fecha en la que compró el producto; o

(ii) comuníquese con el Servicio al cliente de Honeywell al 1-800-468-1502. El Servicio al cliente determinará si el producto debe enviarse a la siguiente dirección: Honeywell Return Goods, Dock 4 MN10-3860, 1885 Douglas Dr. N., Golden Valley, MN 55422, o si se le puede enviar un producto de reemplazo.

Esta garantía no cubre los gastos de remoción ni de reinstalación. Esta garantía no se aplicará si Honeywell demuestra que el defecto o funcionamiento inadecuado fueron causados por daños que se produjeron mientras el producto estaba en posesión de un consumidor.

La única responsabilidad de Honeywell será la de reparar o reemplazar el producto dentro de los términos mencionados anteriormente. HONEYWELL NO SERÁ RESPONSABLE DE LA PÉRDIDA NI DAÑO DE NINGÚN TIPO, QUE INCLUYE CUALQUIER DAÑO INCIDENTAL O CONSECUENTE QUE RESULTE, DIRECTA O INDIRECTAMENTE, DE CUALQUIER INCUMPLIMIENTO DE CUALQUIER GARANTÍA, EXPRESA O IMPLÍCITA, O DE CUALQUIER OTRA FALLA DE ESTE PRODUCTO. Algunos estados no permiten la exclusión o limitación de los daños incidentales o consecuentes por lo que esta limitación podría no aplicarse en su caso.

ESTA GARANTÍA ES LA ÚNICA GARANTÍA EXPRESA QUE HONEYWELL REALIZA SOBRE ESTE PRODUCTO. LA DURACIÓN DE CUALQUIERA DE LAS GARANTÍAS IMPLÍCITAS, INCLUYENDO LAS GARANTÍAS DE COMERCIABILIDAD O DE APTITUD PARA UN FIN DETERMINADO, ESTÁN LIMITADAS A LOS CINCO AÑOS DE DURACIÓN DE ESTA GARANTÍA. Algunos estados no permiten limitaciones en relación a la duración de una garantía implícita, de manera tal que la limitación anterior puede no aplicarse en su caso.

Esta garantía le otorga derechos legales específicos pero es posible que usted goce de otros derechos que varían de un estado a otro.

Si tiene preguntas sobre esta garantía, escriba a Honeywell Customer Relations, 1985 Douglas Dr, Golden Valley, MN 55422 o llame al 1 (800) 468-1502. En Canadá, escriba a Retail Products ON15-02H, Honeywell Limited/Honeywell Limitée, 35 Dynamic Drive, Toronto, Ontario M1V4Z9.





## **Soluciones de control y automatización**

Honeywell International Inc.  
1985 Douglas Drive North  
Golden Valley, MN 55422

Honeywell Limited–Honeywell Limitée  
35 Dynamic Drive  
Toronto, Ontario M1V 4Z9

<http://yourhome.honeywell.com>

© Marca registrada de los EE. UU.  
© 2008 Honeywell International Inc.  
69-2286EFS—03 D.T. Rev. 09-09



Impreso en los Estados Unidos en papel  
reciclado que contiene, por lo menos,  
10% de fibras de papel post consumo.

# **Honeywell**